

DVR & CAMERA

UNIMO SECURITY



Company History

- 1968. 3 Established KUKJAE Electronic Industry Co., Ltd.
- 1971. 3 Received the Certificate of Incorporation
- 1974. 4 Nominated as a Defense Industry Company
- 1975. 6 Developed the 1st Portable Radio in Korea by its own technology
- 1980. 1 Developed CCTV Camera
- 1983.12 Established Government-approved R&D Center
- 1984. 8 Selected Promising Medium sized Company
- 1986. 6 Manufactured CCD color Camera
- 1992. 7 Developed high performance CCD camera module with own technology
(won the Jang Young Shil Award)
- 1996. 7 Listed on the Korea Securities Dealers Automated Quotations (KOSDAQ)
- 1997. 8 Acquired ISO 9001 Certification from UL
- 1997.10 Set up new factory in Kunpo-City
- 1999.11 Listed on the Korean Stock Exchange
- 2000. 3 Changed company name to ' UNIMO Technology Co., Ltd. '
- 2001. 6 Developed Web Camera & Server
- 2002. 5 Developed Auto Focus Zoom Camera
- 2003.10 Developed Day & Night Camera (IR cut filter)
- 2004. 4 Developed MPEG2 DVR
- 2006.12 Developed MPEG4 DVR
- 2008. 6 Developed Matrix real time MPEG4 DVR, UPS DVR and entry level DVR
- 2009. 8 Developed H.264 DVR and IP camera

Catalogue of Product

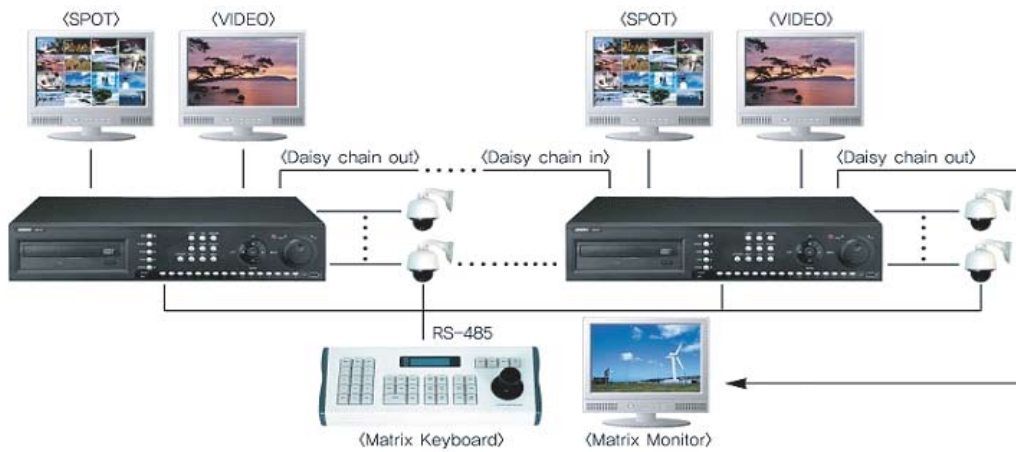
Items	Picture	Model	Page	
H.264 DVR		700 B Series	06P	
		700 C Series	08P	
		700 H Series	10P	
		UDR-71XX	12P	
		UDR-7004	14P	
	Box Camera		UCX-1041C	20P
UCX-1041D			21P	
UCX-1041T			22P	
UCX-1061T			23P	
			UCX-382	24P
		UCX-542	25P	
Dome Camera			UDX-451CF	26P
			UDX-451DF	27P
			UDX-451DV	28P
			UDX-451TV	29P
		UIX-481DF	30P	
		UIX-481DV	31P	
		UIX-481TV	32P	
		UIX-491DV	33P	
		UIX-491TV	34P	
		UIX-591DV	35P	
		UIX-591TV	36P	
	IR Camera		URX-221DF	37P
URX-241CF			38P	
URX-241DF			39P	
		URX-261DF	40P	
		URX-261DV	41P	
		URX-261TV	42P	
		URX-661DV	43P	
	URX-661TV	44P		
	URX-761DV	45P		
	URX-761TV	46P		
IP Camera		UWCC-151	48P	
		UWCx-151T	49P	

DVR key features

Triple Streaming (700 series only)
H.264 Dual Stream + MJPEG



Matrix Function



E-Map Function

- Camera location DVR's recording and event status Map edition



DVR key features

Multi Level User Management

- Authorization for DVR to 6 users

<Authorization for User 1>



<Authorization for RAMS>



Mobile Viewer Connection

- Real time live view
- PTZ control is available
- Symbian, iPhone, Windows Mobile OS supported

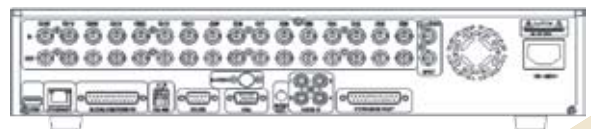
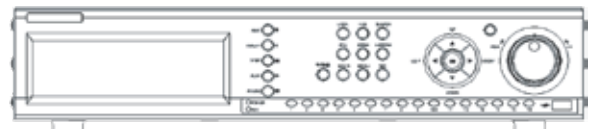
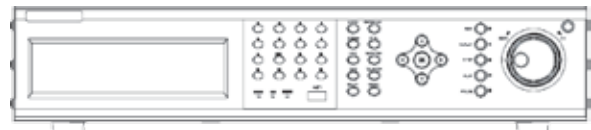
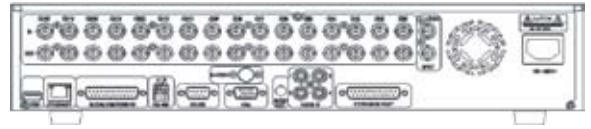
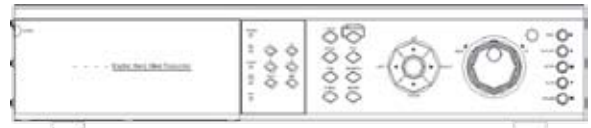


Smart Back-up

- Automatically & periodically back up for specific time, after setting of time and date



Professional 700 B series (UDR-704, 708, 716)



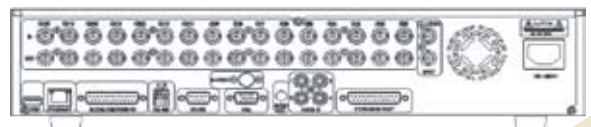
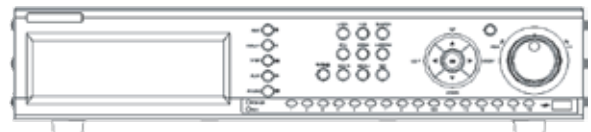
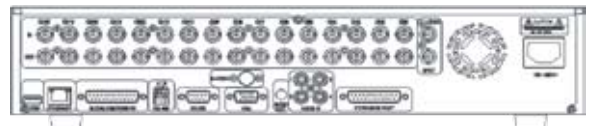
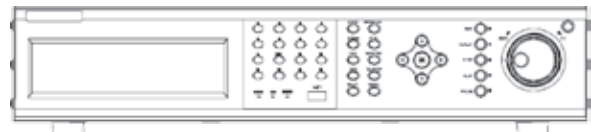
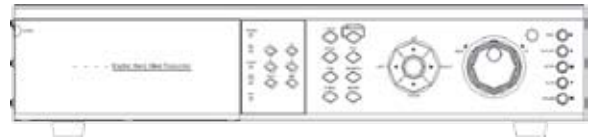
Key Features

- H.264 dual codec stream+ MJPEG
- Real Time Recording & Playback
- Matrix function
- CMS up to 128ch.
- Audio recording available (Max.16ch)
- e-Map function
- FTP Uploading function
- Multi level User Management
- Recording status monitoring
- Keyboard Controller support
- Mobile Viewer Connection
- Smart Back-up
- System log data for all user activities

Specifications

Model	UDR-704B	UDR-708B	UDR-716B
Image System	NTSC, PAL selectable		
Multi-tasking	Quadplex		
Video Channel	4CH Composite, 4CH Loop Through, BNC	8CH Composite, 8CH Loop Through, BNC	16CH Composite, 16CH Loop Through, BNC
Video Output	1CH Composite, BNC, 1CH Spot(Multi), VGA	1CH Composite, BNC, 1CH Spot(Multi), VGA	1CH Composite, BNC, 1CH Spot(Multi), VGA
Video Compression	H.264		
Recording Resolution	704x480, 704x240, 352x240 (NTSC) / 704x576, 704x288, 352x288 (PAL)		
Recording Quality	4 Levels (Normal, Enhanced, Fine, Super Fine)		
Max Display Speed	120 fps (NTSC) / 100 fps(PAL)	240 fps (NTSC) / 200 fps(PAL)	480 fps (NTSC) / 400 fps(PAL)
Max Recording Speed	120 fps at Full D1(N)/100 fps at Full D1(P)	240 fps at Half D1(N)/200 fps at Half D1(P)	480 fps at CIF(N)/400 fps at CIF(P)
Time Laps Recording Interval (fps)	1,2,3,4,5,6,8,10,15,30 (NTSC, 10 steps) 1,2,3,4,5,7,9,13,20,25 (PAL, 10 steps)		
Recording Mode	Schedule, Event (Sensor, Motion Detection), Manual, Continuous, Continuous+Event		
Playback Search	Calendar, Event (Sensor, Motion Detection)		
Playback Speed	x1, x2, x4, x8, x16, x32, x64, x128, Field by Field (Forward, Backward)		
Slow Motion	x1/4, x1/2 (Forward Only)		
Sensor Input	4 (NO/NC Selectable)	8 (NO/NC Selectable)	16 (NO/NC Selectable)
Alarm Output(Relay)	1 Relay (NC/NO), 4 TTL		
Audio In/Out	4CH In, 1CH Out	4CH (8CH option) In, 1CH Out	4CH (16CH option) In, 1CH Out
Network	10/100 Base-T (Static, DHCP, PPPoE, E-Mail), DDNS server available, Dual Stream		
Motion Detection	22x15 (NTSC) / 22x18 (PAL), 8 Level Sensitivity		
Jog/Shuttle	O	O	O
Hard Disk	Max. 2 EA		
Backup	USB(2.0), DVR-RW, Network		
Keyboard Control	O (Except Matrix Key)	O	O
Daisy Chain Out	X	O	O
Watermarking	Still Image Backup		
PTZ Control	RS-485		
Serial Port	RS-232		
System Log	Video Loss, Power ON/OFF, HDD Full, REC Warning, REC Fail, Menu Called, Reset HDD Format, Reset S/W Upgrade, E-Mail Fail		
Language	Korean, English, Japanese, French, Spanish, German, Polish, Italian, Russian, Slovak, Turkish, Czech, Norwegian, Estonian, Danish		
S/W Upgrade	Network, USB Memory Stick, CD-RW		
Password Function	Power OFF, MENU, Record OFF, Key Lock		
Power Source	Free Voltage (100-240 VAC, 50 Hz/60 Hz, 70 W)		
Dimension	433mm(W) x 385mm(D) x 88mm(H)		
Operating Temperature	5°C ~ 40°C		
Weight	7 Kg (net)		

Professional 700 C series (UDR-704, 708, 716)



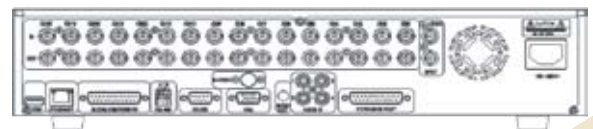
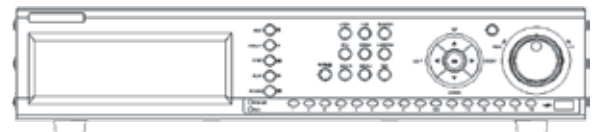
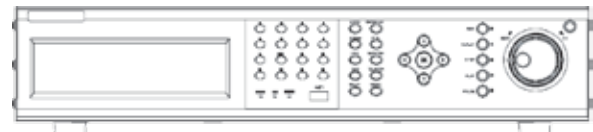
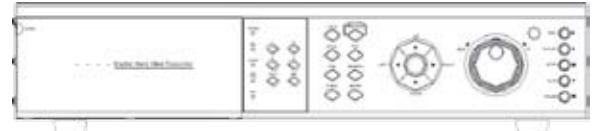
Key Features

- H.264 single codec stream+MJPEG
- Real Time Recording & Playback
- Matrix function
- CMS up to 128ch.
- Audio recording available (Max.16ch)
- e-Map function
- FTP Uploading function
- Multi level User Management
- Recording status monitoring
- Keyboard Controller support
- Mobile Viewer Connection
- Smart Back-up
- System log data for all user activities

Specifications

Model	704C	708C	716C
Image System	NTSC, PAL selectable		
Multi-tasking	Quadplex		
Video Channel	4CH Composite, 4CH Loop Through, BNC	8CH Composite, 8CH Loop Through, BNC	16CH Composite, 16CH Loop Through, BNC
Video Output	1CH Composite BNC, 1CH Spot (Single), 1CH VGA	1CH Composite BNC, 1CH Spot (Single), 1CH VGA	1CH Composite BNC, 1CH Spot (Single), 1CH VGA
Video Compression	H.264		
Recording Resolution	720x480, 720x240, 360x240 (NTSC) / 720x576, 720x288, 360x288 (PAL)		
Recording Quality	4 Levels (Normal, Enhanced, Fine, Super Fine)		
Max Display Speed	120 fps (NTSC) / 100 fps(PAL)	240 fps (NTSC) / 200 fps(PAL)	480 fps (NTSC) / 400 fps(PAL)
Max Recording Speed	120 fps at Full D1(N)/100 fps at Full D1(P)	240 fps at Half D1(N)/200 fps at Half D1(P)	480 fps at CIF(N)/400 fps at CIF(P)
Time Laps Recording Interval (fps)	1,2,3,4,5,6,8,10,15,30 (NTSC, 10 steps) 1,2,3,4,5,7,9,13,20,25 (PAL, 10 steps)		
Recording Mode	Schedule, Event (Sensor, Motion Detection), Manual, Continuous, Continuous+Event		
Playback Search	Calendar, Event (Sensor, Motion Detection)		
Playback Speed	x1, x2, x4, x8, x16, x32, x64, x128, Field by Field (Forward, Backward)		
Slow Motion	x1/4, x1/2 (Forward Only)		
Sensor Input	4 (NO/NC Selectable)	8 (NO/NC Selectable)	16 (NO/NC Selectable)
Alarm Output(Relay)	1 Relay (NC/NO), 4 TTL		
Audio In/Out	4CH In, 1CH Out	4CH (8CH option) In, 1CH Out	4CH (16CH option) In, 1CH Out
Network	10/100 Base-T (Static, DHCP, PPPoE, E-Mail), DDNS server available, Dual Stream		
Motion Detection	22x15 (NTSC) / 22x18 (PAL), 8 Level Sensitivity		
Jog/Shuttle	O		
Hard Disk	Max. 2 EA		
Backup	USB(2.0), DVR-RW, Network		
Keyboard Control	O (Except Matrix Key)	O	O
Daisy Chain Out	X	O	O
Watermarking	Still Image Backup		
PTZ Control	RS-485		
Serial Port	RS-232		
System Log	Video Loss, Power ON/OFF, HDD Full, REC Warning, REC Fail, Menu Called, Reset HDD Format, Reset S/W Upgrade, E-Mail Fail		
Language	Korean, English, Japanese, French, Spanish, German, Polish, Italian, Russian, Slovak, Turkish, Czech, Norwegian, Estonian, Danish		
S/W Upgrade	Network, USB Memory Stick, CD-RW		
Password Function	Power OFF, MENU, Record OFF, Key Lock		
Power Source	Free Voltage (100-240 VAC, 50 Hz/60 Hz, 70 W)		
Dimension	433mm(W) x 385mm(D) x 88mm(H)		
Operating Temperature	5°C ~ 40°C		
Weight	7 Kg (net)		

Professional 700 H series (UDR-704, 708, 716)



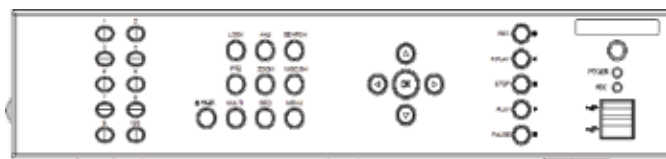
Key Features

- H.264 dual codec stream+ MJPEG
- Real Time Recording & Playback
- Matrix function
- CMS up to 128ch.
- Audio recording available (Max.16ch)
- e-Map function
- FTP Uploading function
- Multi level User Management
- Recording status monitoring
- Keyboard Controller support
- Mobile Viewer Connection
- Smart Back-up
- System log data for all user activities

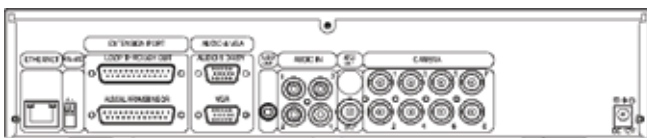
Specifications

Model	704H	708H	716H
Image System	NTSC, PAL selectable		
Multi-tasking	Quadplex		
Video Channel	4CH Composite, 4CH Loop Through, BNC	8CH Composite, 8CH Loop Through, BNC	16CH Composite, 16CH Loop Through, BNC
Video Output	1CH Composite BNC, 1CH Spot (Multi), 1CH VGA	1CH Composite BNC, 1CH Spot (Multi), 1CH VGA	1CH Composite BNC, 1CH Spot (Multi), 1CH VGA
Video Compression	H.264		
Recording Resolution	720x480, 720x240, 360x240 (NTSC) / 720x576, 720x288, 360x288 (PAL)		
Recording Quality	4 Levels (Normal, Enhanced, Fine, Super Fine)		
Max Display Speed	120 fps (NTSC) / 100 fps (PAL)	240 fps (NTSC) / 200 fps (PAL)	480 fps (NTSC) / 400 fps (PAL)
Max Recording Speed	120 fps at Full D1(N)/100 fps at Full D1(P)	240 fps at Half D1(N)/200 fps at Half D1(P)	480 fps at CIF(N)/400 fps at CIF(P)
Time Laps Recording Interval (fps)	1,2,3,4,5,6,8,10,15,30 (NTSC, 10 steps) 1,2,3,4,5,7,9,13,20,25 (PAL, 10 steps)		
Recording Mode	Schedule, Event (Sensor, Motion Detection), Manual, Continuous, Continuous+Event		
Playback Search	Calendar, Event (Sensor, Motion Detection)		
Playback Speed	x1, x2, x4, x8, x16, x32, x64, x128, Field by Field (Forward, Backward)		
Slow Motion	x1/4, x1/2 (Forward Only)		
Sensor Input	4 (NO/NC Selectable)	8 (NO/NC Selectable)	16 (NO/NC Selectable)
Alarm Output(Relay)	1 Relay (NC/NO), 4 TTL		
Audio In/Out	4CH In, 1CH Out	4CH (8CH option) In, 1CH Out	4CH (16CH option) In, 1CH Out
Network	10/100 Base-T (Static, DHCP, PPPoE, E-Mail), DDNS server available, Triple Stream		
Motion Detection	22x15 (NTSC) / 22x18 (PAL), 8 Level Sensitivity		
Jog/Shuttle	O		
Hard Disk	Max. 4 EA		
Backup	USB(2.0), DVR-RW, Network		
Keyboard Control	O (Except Matrix Key)	O	O
Daisy Chain Out	X	O	O
Watermarking	Still Image Backup		
PTZ Control	RS-485		
Serial Port	RS-232		
System Log	Video Loss, Power ON/OFF, HDD Full, REC Warning, REC Fail, Menu Called, Reset HDD Format, Reset S/W Upgrade, E-Mail Fail		
Language	Korean, English, Japanese, French, Spanish, German, Polish, Italian, Russian, Slovak, Turkish, Czech, Norwegian, Estonian, Danish		
S/W Upgrade	Network, USB Memory Stick, CD-RW		
Password Function	Power OFF, MENU, Record OFF, Key Lock		
Power Source	Free Voltage (100-240 VAC, 50 Hz/60 Hz, 70 W)		
Dimension	433mm(W) x 385mm(D) x 88mm(H)		
Operating Temperature	5°C ~ 40°C		
Weight	7 Kg (net)		

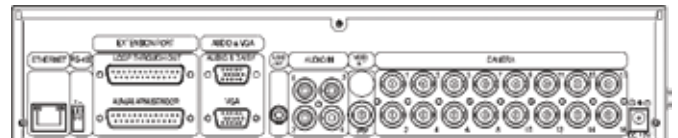
High Performance 7100 series (UDR-7108, 7116)



< Front View >



< 8 CH Rear View >



< 16 CH Rear View >

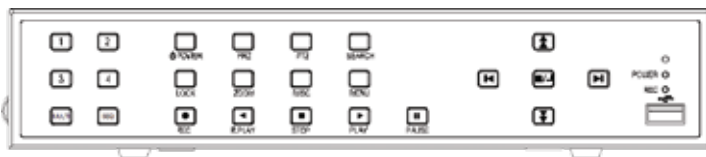
Key Features

- H.264 single codec stream+ MJPEG
- Real Time Recording & Playback
- Matrix function
- CMS up to 128ch.
- Audio recording available (Max.16ch)
- e-Map function
- FTP Uploading function
- Multi level User Management
- Recording status monitoring
- Keyboard Controller support
- Mobile Viewer Connection
- Smart Back-up
- System log data for all user activities

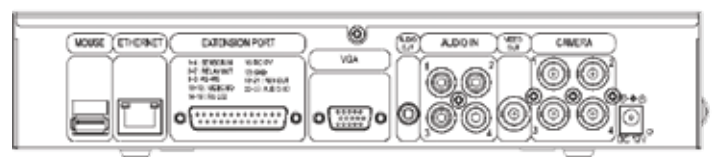
Specifications

Model	UDR-7108	UDR-7116
Image System	NTSC, PAL selectable	
Multi-tasking	Quadplex	
Video Channel	8CH Composite, BNC, 8CH Loop Through (Option)	16CH Composite, BNC, 16CH Loop Through (Option)
Video Output	1CH Composite, BNC, 1CH Spot (Option), 1CH VGA	1CH Composite, BNC, 1CH Spot (Option), 1CH VGA
Video Compression	H.264	
Recording Resolution	704x480, 704x240, 352x240 (NTSC) / 704x576, 704x288, 352x288 (PAL)	
Recording Quality	4 Levels (Normal, Enhanced, Fine, Super Fine)	
Max Display Speed	240 fps (NTSC) / 200 fps (PAL)	480 fps (NTSC) / 400 fps (PAL)
Max Recording Speed	240 fps at Half D1 (NTSC) / 200 fps at Half D1 (PAL)	480 fps at CIF (NTSC) / 400 fps at CIF (PAL)
Time Laps Recording Interval (fps)	1,2,3,4,5,6,8,10,15,30 (NTSC, 10 steps) 1,2,3,4,5,7,9,13,20,25 (PAL, 10 steps)	
Recording Mode	Schedule, Event (Sensor, Motion Detection), Manual, Continuous, Continuous+Event	
Playback Search	Calendar, Event (Sensor, Motion Detection)	
Playback Speed	x1, x2, x4, x8, x16, x32, x64, x128, Field by Field (Forward, Backward)	
Slow Motion	x1/4, x1/2 (Forward Only)	
Sensor Input	8 (NO/NC Selectable)	16 (NO/NC Selectable)
Alarm Output (Relay)	1 Relay (NC/NO), 3 TTL	
Audio In/Out	4CH In, 1CH Out	
Network	10/100 Base-T (Static, DHCP, PPPoE, E-Mail), DDNS server available, Dual Stream	
Motion Detection	22x15 (NTSC) / 22x18 (PAL), 8 Level Sensitivity	
Jog/Shuttle	X	O
Hard Disk	1 EA (Optional 2EA)	
Backup	USB(2.0), Network	
Keyboard Control	O	O
Daisy Chain Out	X	
Watermarking	Still Image Backup	
PTZ Control	RS-485	
Serial Port	RS-232	
System Log	Video Loss, Power ON/OFF, HDD Full, REC Warning, REC Fail, Menu Called, Reset HDD Format, Reset S/W Upgrade, E-Mail Fail	
Language	Korean, English, Japanese, French, Spanish, German, Polish, Italian, Russian, Slovak, Turkish, Czech, Norwegian, Estonian, Danish	
S/W Upgrade	Network, USB Memory Stick	
Password Function	Power OFF, MENU, Record OFF, Key Lock	
Power Source	Free Voltage (100-240 VAC, 50 Hz/60 Hz) Using Adaptor (12V DC)	
Dimension	340mm(W) x 296mm(D) x 76mm(H)	
Operating Temperature	5°C ~ 40°C	
Weight	4.5 Kg (net)	

Full D1 4CH (UDR-7004)



< Front View >



< Rear View >

Key Features

- H.264 single codec stream+ MJPEG
- Real Time Recording & Playback
- Matrix function
- CMS up to 128ch.
- Audio recording available
- e-Map function
- FTP Uploading function
- Multi level User Management
- Recording status monitoring
- Keyboard Controller support
- Mobile Viewer Connection
- Smart Back-up
- System log data for all user activities

Specifications

Model	UDR-7004
Image System	NTSC, PAL selectable
Multi-tasking	Quadplex
Video Channel	4CH Composite, BNC
Video Output	1CH Composite BNC, 1CH VGA
Video Compression	H.264
Recording Resolution	704x480, 704x240, 352x240 (NTSC) / 704x576, 704x288, 352x288 (PAL)
Recording Quality	4 Levels (Normal, Enhanced, Fine, Super Fine)
Max Display Speed	120 fps (NTSC) / 100 fps(PAL)
Max Recording Speed	120 fps at Full D1(NTSC) / 100 fps at Full D1(PAL)
Time Laps Recording Interval (fps)	1,2,3,4,5,6,8,10,15,30 (NTSC, 10 steps) 1,2,3,4,5,7,9,13,20,25 (PAL, 10 steps)
Recording Mode	Schedule, Event (Sensor, Motion Detection), Manual, Continuous, Continuous+Event
Playback Search	Calendar, Event (Sensor, Motion Detection)
Playback Speed	x1, x2, x4, x8, x16, x32, x64, x128, Field by Field (Forward, Backward)
Slow Motion	x1/4, x1/2 (Forward Only)
Sensor Input	4 (NO/NC Selectable)
Alarm Output(Relay)	1 Relay (NC/NO), 4 TTL
Audio In/Out	4CH In, 1CH Out
Network	10/100 Base-T (Static, DHCP, PPPoE, E-Mail), DDNS server available, Dual Stream
Motion Detection	22x15 (NTSC) / 22x18 (PAL), 8 Level Sensitivity
Jog/Shuttle	X
Hard Disk	Max. 1 EA
Backup	USB(2.0), DVR-RW, Network
Keyboard Control	X
Daisy Chain Out	X
Watermarking	Still Image Backup
PTZ Control	RS-485
Serial Port	RS-232
System Log	Video Loss, Power ON/OFF, HDD Full, REC Warning, REC Fail, Menu Called, Reset HDD Format, Reset S/W Upgrade, E-Mail Fail
Language	Korean, English, Japanese, French, Spanish, German, Polish, Italian, Russian, Slovak, Turkish, Czech, Norwegian, Estonian, Danish
S/W Upgrade	Network, USB Memory Stick, CD-RW
Password Function	Power OFF, MENU, Record OFF, Key Lock
Power Source	Free Voltage (100-240 VAC, 50 Hz/60 Hz) Using Adaptor (12V DC)
Dimension	280mm(W) x 320mm(D) x 44mm(H)
Operating Temperature	5°C ~ 40°C
Weight	3.5 Kg (net)

Comparison Table

Channel	4 CH		8 CH		16 CH	
Model	7004	704	7108	708	7116	716
Loop Through	X	O	Optional	O	Optional	O
Spot	X	**	Optional (Single Screen)	**	Optional (Single Screen)	**
Jog/Shuttle	X	O	X	O	X	O
Keyboard	X	O	O	O	O	O
Matrix	X	X	X	O	X	O
Daisy Chain	X	X	X	O	X	O
Codec	1(Dual)	**	1(Dual)	**	1(Dual)	**
Hard Disk	Max. 1 EA	**	1 EA (Optional 2 EA)	**	1 EA (Optional 2 EA)	**
DVD-RW	X	O (Built-in)	X	O (Built-in)	X	O (Built-in)
Backup	USB(2.0) Network	USB(2.0) DVD-RW Network	USB(2.0) Network	USB(2.0) DVD-RW Network	USB(2.0) Network	USB(2.0) DVD-RW Network
Power	External	Built-in	External	Built-in	External	Built-in
Recording & Playback Speed	120 fps at Full D1(NTSC) 100 fps at Full D1(PAL)		240 fps at Half D1(NTSC) 200 fps at Half D1(PAL)		480 fps at CIF(NTSC) 400 fps at CIF(PAL)	

** Refer to below table

Model	C Series	B Series	H Series
Loop Through Out	O	O	O
Spot	Single Screen	Multi Screen	Multi Screen
Jog/Shuttle	O	O	O
Keyboard Control	O	O	O
Matrix Function	O (8/16CH Only)	O (8/16CH Only)	O (8/16CH Only)
Daisy Chain Out	O (8/16CH Only)	O (8/16CH Only)	O (8/16CH Only)
Codec	1 (Dual Streaming)	2 (Triple Streaming)	2 (Triple Streaming)
Hard Disk	Max. 2 EA	Max. 2 EA	Max. 4 EA
DVD-RW	Built-in	Built-in	Built-in
Backup	USB(2.0), DVD-RW, Network	USB(2.0), DVD-RW, Network	USB(2.0), DVD-RW, Network
Power Supply	Built-in SMPS	Built-in SMPS	Built-in SMPS
Recording & Playback Speed	480 fps at Full D1 (NTSC) 400 fps at Full D1 (PAL)	480 fps at Half D1 (NTSC) 400 fps at Half D1 (PAL)	480 fps at CIF (NTSC) 400 fps at CIF (PAL)

Keyboard Controller



UKB - 400

Control DVRs (Max 128)
Matrix Function
Control PTZ Camera and Speed Dome Camera

Specifications

MODEL		UKB-400
Communication		MASTER (for CAM):RS-485(2400 bps,4800 bps,9600 bps) SLAVE (for DVR):RS-485(2400 bps,4800 bps,9600 bps)
Joystick	Axis	3-Axis, Zoom in/out Available
	Power Consumption	DC 12V, 110mA
Display Type		16 x 2 Character LCD, With Blue Backlight
Key Type		PC Keyboard Button
Keyboard Connector Type		RJ45 8Pin Modular Cable
Junction Box Connector		Master: Terminal Block, Slave: Terminal Block
Humidity		10 % ~ 70 % non Conensing
Dimension		140mm(W) x 185mm(H) x 365mm(D)
Weight		1.2 Kg

CCTV CAMERA

(ANALOG CAMERA)

CAMERA COMPARISON CHART BY MODEL

NO	Main Category	Medium Category	Model Name	CCD	TVL	Power	IR Q'ty	Lens	Dimension / Weight	
1	Box Camera	UCX-1000	UCX-1041C	1/3"	420TVL	DC12V	N/A	C-Mount DDN	60mm(W)x72mm(H)x104mm(D) 350g	
2			UCX-1041D	1/3"	560TVL	DC12V	N/A	C-Mount DDN	60mm(W)x72mm(H)x104mm(D) 350g	
3			UCX-1041T	1/3"	560TVL	DC12V	N/A	C-Mount TDN	60mm(W)x72mm(H)x104mm(D) 350g	
4			UCX-1061T	1/3"	560TVL	DC12V	N/A	C-Mount TDN,WDR	60mm(W)x72mm(H)x104mm(D) 350g	
5		UCX-382	UCX-382	1/3"	540TVL	DC12V	N/A	C-Mount TDN	60mm(W)x50mm(H)x126.5mm(D) 500g	
6		UCX-542	UCX-542	1/3"	480TVL	DC12V	N/A	C-Mount TDN,WDR	60mm(W)x50mm(H)x126.5mm(D) 500g	
7	Dome Camera	Plastic 100Ø	UDX-451CF	1/3"	420TVL	DC12V	N/A	Fixed Lens 3.6mm,DDN	114(Ø)x77mm(V), Dome 100Ø 270g	
8			UDX-451DF	1/3"	560TVL	DC12V	N/A	Fixed Lens 3.6mm,DDN	114(Ø)x77mm(V), Dome 100Ø 270g	
9			UDX-451DV	1/3"	560TVL	DC12V	N/A	Varifocal 4~9mm,DDN	114(Ø)x77mm(V), Dome 100Ø 270g	
10			UDX-451TV	1/3"	560TVL	DC12V	N/A	Varifocal 4~9mm,TDN	114(Ø)x77mm(V), Dome 100Ø 270g	
11		Impact 80Ø	UIX-481DF	1/3"	560TVL	DC12V	N/A	Fixed Lens 3.6mm,DDN	112(Ø)x78mm(V), Dome 80Ø 500g	
12			UIX-481DV	1/3"	560TVL	DC12V	N/A	Varifocal 4~9mm,DDN	112(Ø)x78mm(V), Dome 80Ø 500g	
13			UIX-481TV	1/3"	560TVL	DC12V	N/A	Varifocal 4~9mm,TDN	112(Ø)x78mm(V), Dome 80Ø 500g	
14		Impact 100Ø	UIX-491DV	1/3"	560TVL	DC12V	N/A	Fixed Lens 3.6mm,DDN	145(Ø)x107mm(V), Dome 100Ø 950g	
15			UIX-491TV	1/3"	560TVL	DC12V	N/A	Varifocal 4~9mm,TDN	145(Ø)x107mm(V), Dome 100Ø 950g	
16			UIX-591DV	1/3"	560TVL	DC12V	N/A	Varifocal 3.3~12mm,DDN	145(Ø)x107mm(V), Dome 100Ø 950g	
17			UIX-591TV	1/3"	560TVL	DC12V	N/A	Varifocal 3.3~12mm,TDN	145(Ø)x107mm(V), Dome 100Ø 950g	
18		IR Camera	Pipe Small	URX-221DF	1/3"	380TVL	DC12V	24EA	Fixed Lens 3.6mm,DDN	85(L)x54(Ø) 260g
19				URX-241CF	1/3"	420TVL	DC12V	24EA	Fixed Lens 3.6mm,DDN	85(L)x54(Ø) 260g
20				URX-241DF	1/3"	560TVL	DC12V	24EA	Fixed Lens 3.6mm,DDN	85(L)x54(Ø) 260g
21			Pipe Medium	URX-261DF	1/3"	560TVL	DC12V	60EA	Fixed Lens 3.6mm,DDN	130(L)x68(Ø) 480g
22				URX-261DV	1/3"	560TVL	DC12V	42EA	Varifocal 4~9mm,DDN	130(L)x68(Ø) 480g
23				URX-261TV	1/3"	560TVL	DC12V	42EA	Varifocal 4~9mm,TDN	130(L)x68(Ø) 480g
24	Dome Plastic 100Ø		URX-661DV	1/3"	560TVL	DC12V	30EA	Varifocal 4~9mm,DDN	145(Ø)x107mm(V), Dome 100Ø 350g	
25			URX-661TV	1/3"	560TVL	DC12V	30EA	Varifocal 4~9mm,TDN	145(Ø)x107mm(V), Dome 100Ø 350g	
26	Dome Impact 100Ø		URX-761DV	1/3"	560TVL	DC12V	30EA	Varifocal 4~9mm,DDN	145(Ø)x107mm(V), Dome 100Ø 650g	
27		URX-761TV	1/3"	560TVL	DC12V	30EA	Varifocal 4~9mm,TDN	145(Ø)x107mm(V), Dome 100Ø 650g		

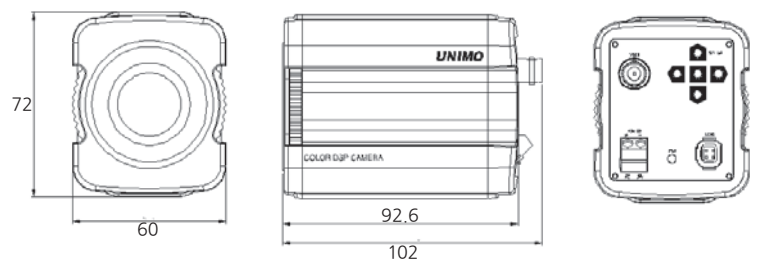
Box Camera

UCX-1041C



- . High Quality 1/3" SONY Super HAD-II CCD
- . High Sensitivity
- . Built in BLC Function
- . Privacy Masking with 8 user programmable Zone
- . Low Power Consumption
- . 12V DC Operation
- . Internal Sync Operation
- . On-Screen Menu Configuration
- . C/CS Lens Mount
- . Easy Adjust Back Focus

Dimension



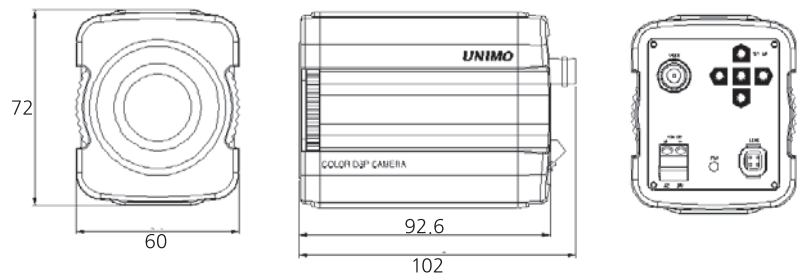
Specifications

MODEL		UCN-1041C	UCP-1041C
Image Device		1/3" Super HAD-II CCD, 510(H)*492(V)	1/3" Super HAD-II CCD, 500(H)*582(V)
TV System		2:1 Interlace	
Synchronizing System		Internal / Line-Lock	
Horizontal Resolution		420 TV Line (at Color)	
Video Output Level		1Vpp VBS/75 ohm	
S/N Ratio		More Than 50 dB (AGC Off)	
Min Illumination	Color	0.3 Lux (at 40IRE F1.2 Lens)	
	B/W	0.1 Lux (at 40IRE F1.2 Lens)	
Electronic Iris		1/60 ~ 1/100,000 Sec	1/50 ~ 1/100,000 Sec
Auto White Balance		ATW/AWC/Manual Selectable	
Day & Night		Color/BW/Auto Selectable	
Motion Detection		Off/On (Area/Sensitivity)	
Privacy Zone		Off/On (4 Programmable Zone)	
OSD		ID & Functions Selectable	
Connector		Video Out BNC	
		Power 2Pin Screw Terminal Block	
		DC Iris Lens 4Pin Square	
Camera Mount		Flush Mount Type (Top or Bottom Selectable)	
Lens Type	Mount	C or CS Mount	
	Auto Iris	DC Drive Type	
Power Requirement		12V DC ± 10% 200mA MAX.	
Operating Condition		14°F TO 122 °F (-10°C ~ 50°C) WITH 85% RH	
Net Weight Without Lens		Approx. 350g	
Dimensions		60mm(W) x 72mm(H) x 102mm(D)	



- . High Quality 1/3" SONY Super HAD-II CCD
- . High Sensitivity & Super High Resolution
- . Built in BLC Function
- . Privacy Masking with 8 user programmable Zone
- . Low Power Consumption
- . 12V DC Operation
- . Internal Sync Operation
- . On-Screen Menu Configuration
- . C/CS Lens Mount
- . Easy Adjust Back Focus

Dimension



Specifications

MODEL		UCN-1041D	UCP-1041D
Image Device		1/3" Super HAD-II CCD, 768(H)*494(V)	1/3" Super HAD-II CCD, 752(H)*582(V)
TV System		2:1 Interlace	
Synchronizing System		Internal / Line-Lock	
Horizontal Resolution		560 TV Line (at Color)	
Video Output Level		1Vpp VBS/75 ohm	
S/N Ratio		More Than 50 dB (AGC Off)	
Min Illumination	Color	0.5 Lux (at 40IRE F1.2 Lens)	
	B/W	0.3 Lux (at 40IRE F1.2 Lens)	
Electronic Iris		1/60 ~ 1/100,000 Sec	1/50 ~ 1/100,000 Sec
Auto White Balance		ATW/AWC/Manual Selectable	
Day & Night		Color/BW/Auto Selectable	
Motion Detection		Off/On (Area/Sensitivity)	
Privacy Zone		Off/On (4 Programmable Zone)	
OSD		ID & Functions Selectable	
Connecter		Video Out BNC	
		Power 2Pin Screw Terminal Block	
		DC Iris Lens 4Pin Square	
Camera Mount		Flush Mount Type (Top or Bottom Selectable)	
Lens Type	Mount	C or CS Mount	
	Auto Iris	DC Drive Type	
Power Requirement		12V DC \pm 10% 200mA MAX.	
Operating Condition		14°F TO 122 °F (-10°C ~ 50°C) WITH 85% RH	
Net Weight Without Lens		Approx. 350g	
Dimensions		60mm(W) x 72mm(H) x 102mm(D)	

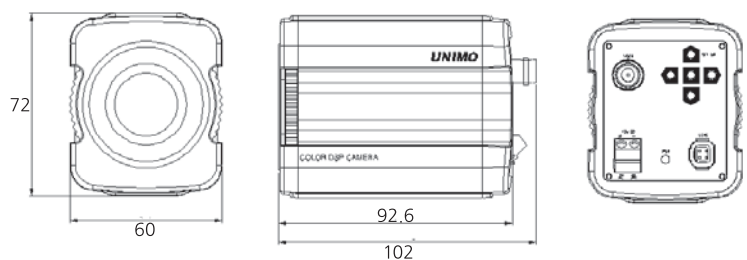
Box Camera

UCX-1041T



- . High Quality 1/3" SONY Super HAD- II CCD
- . High Sensitivity & Super High Resolution
- . True Day/Night
- . Built in BLC Function
- . Privacy Masking with 8 user programmable Zone
- . Low Power Consumption
- . 12V DC Operation
- . Internal Sync Operation
- . On-Screen Menu Configuration
- . C/CS Lens Mount
- . Easy Adjust Back Focus

Dimension



Specifications

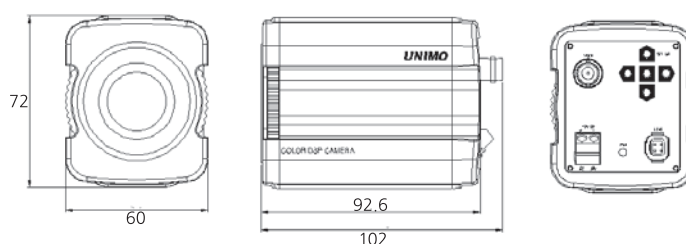
MODEL		UCN-1041T	UCP-1041T
Image Device		1/3" Super HAD-II CCD, 768(H)*494(V)	1/3" Super HAD-II CCD, 752(H)*582(V)
TV System		2:1 Interlace	
Synchronizing System		Internal / Line-Lock	
Horizontal Resolution		560 TV Line (at Color) / 600 TV Line (at BW)	
Video Output Level		1Vpp VBS/75 ohm	
S/N Ratio		More Than 50 dB (AGC Off)	
Min Illumination	Color	0.3 Lux (at 40IRE F1.2 Lens)	
	B/W	0.01 Lux (at 40IRE F1.2 Lens)	
Electronic Iris		1/60 ~ 1/100,000 Sec	1/50 ~ 1/100,000 Sec
Auto White Balance		ATW/AWC/Manual Selectable	
Day & Night		Color/BW/Auto Selectable	
Motion Detection		Off/On (Area/Sensitivity)	
Privacy Zone		Off/On (4 Programmable Zone)	
OSD		ID & Functions Selectable	
Connector		Video Out BNC	
		Power 2Pin Screw Terminal Block	
		DC Iris Lens 4Pin Square	
Camera Mount		Flush Mount Type (Top or Bottom Selectable)	
Lens Type	Mount	C or CS Mount	
	Auto Iris	DC Drive Type	
Power Requirement		12V DC \pm 10% 200mA MAX.	
Operating Condition		14°F TO 122 °F (-10°C ~ 50°C) WITH 85% RH	
Net Weight Without Lens		Approx. 350g	
Dimensions		60mm(W) x 72mm(H) x 102mm(D)	

Box Camera

UCX-1061T



Dimension



- . High Quality 1/3" SONY Super HAD- II CCD
- . High Sensitivity & Ultra High Resolution
- . Built in WDR Function
- . True Day/Night
- . Built in DNR Function
- . Sens-Up 256x Extended sensitivity
- . Built in HSBLC Function
- . Privacy Masking with 8 user programmable Zone
- . Low Power Consumption
- . 12 VDC/24 VAC Dual Power(Optional)
- . Internal / Line-Lock Sync Operation
- . On-Screen Menu Configuration
- . C/CS Lens Mount
- . Easy Adjust Back Focus

Specifications

MODEL		UCN-1061T	UCP-1061T
Image Device		1/3" Super HAD-II CCD, 768(H)*494(V)	1/3" Super HAD-II CCD, 752(H)*582(V)
TV System		2:1 Interlace	
Synchronizing System		Internal / Line-Lock	
Horizontal Resolution		560 TV Line (at Color) / 600 TV Line (at BW)	
Video Output Level		1Vpp VBS/75 ohm	
S/N Ratio		More Than 50 dB (AGC Off)	
Min Illumination	Color	0.3 Lux (at 40IRE F1.2 Lens)	
	B/W	0.01 Lux (at 40IRE F1.2 Lens)	
	Sens Up	0.001 Lux (at F1.2 Lens x 256, Color)	0.00005 Lux (at F1.2 Lens x 256, BW)
Electronic Iris		1/60 ~ 1/100,000 Sec	1/50 ~ 1/100,000 Sec
Auto White Balance		ATW/AWC/Manual Selectable	
WDR		Off/Indoor/Outdoor Selectable	
Day & Night		Color/BW/Auto Selectable	
BLC		BLC / HSBLC Selectable	
Motion Detection		Off/On (Area/Sensitivity)	
Privacy Zone		Off/On (8 Programmable Zone)	
OSD		ID & Functions Selectable	
Connector		Video Out BNC Power 2Pin Screw Terminal Block DC Iris Lens 4Pin Square	
Camera Mount		Flush Mount Type (Top or Bottom Selectable)	
Lens Type	Mount	C or CS Mount	
	Auto Iris	DC Drive Type	
Power Requirement		12V DC ± 10% 200mA MAX.	
Operating Condition		14°F TO 122 °F(-10°C ~ 50°C) WITH 85% RH	
Net Weight Without Lens		Approx. 350g	
Dimensions		60mm(W) x 72mm(H) x 102mm(D)	

Hi-Res, True Day/Night Camera

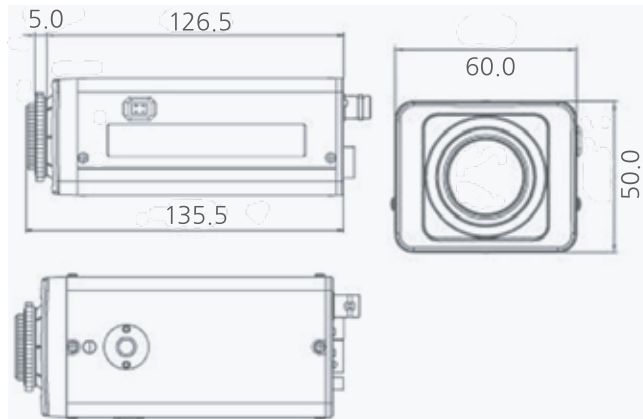
UCX-382



Features

- * High-performance 1/3" SONY CCD
- * Easy to adjust back focus mechanism with precision
- * Day & Night function
 - Built in removable infrared cut filter mechanism
- * High-resolution (580 TV Line at B/W)

Dimension



Specifications

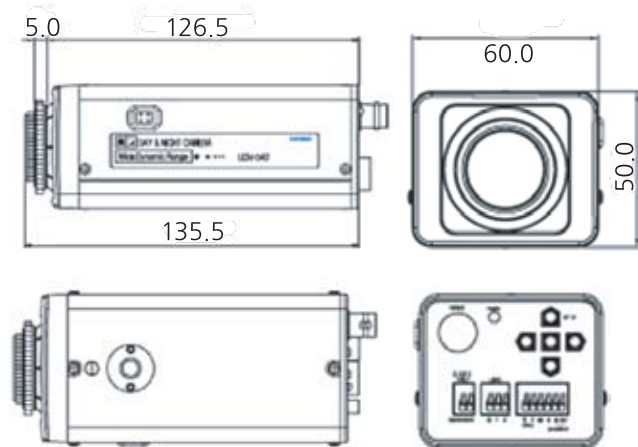
MODEL	UCN-382		UCP-382	
Image Device	1/3" Interline Transfer CCD		1/3" Interline Transfer CCD	
	768(H) * 494(V)		752(H) * 582(V)	
TV System	NTSC / PAL Standard, 2:1 Interlace			
Synchronizing System	Internal / Line-Lock			
Horizontal Resolution	540 TV Line (at Day Mode) / 580 TV Line (at Night Mode)			
Video Output Level	1Vpp VBS/75 ohm			
S/N Ratio	More Than 48 dB (AGC Off)			
Min Illumination	Night	0.01 Lux (at 25IRE F1.2 Lens)		
	Day	0.5 Lux (at 25IRE F1.2 Lens)		
Electronic Iris	1/60 ~ 1/100,000 Sec		1/50 ~ 1/100,000 Sec	
Auto White Balance	Automatic(2,500°K ~ 7,500°K)			
Line Lock Range	60Hz ±1.0Hz		60Hz ±1.0Hz	
Back Light Compensation	Center Weighttted Zone			
External Controls	* INT / LL Select			
	* BLC On/Off			
	* ALC / ELC Select			
	* AWB / ATW Select			
	* AGC On/Off			
	* DAY & NIGHT On/Off			
	* GAMMA On/Off			
Camera Mount	Flush Mount Type (Top or Bottom Selectable)			
Lens Type	Mount	C or CS Mount		
	Auto Iris	DC Drive Type / Video Drive Type		
Power Requirement	24V AC ± 20% 300mA MAX. Full Isolation			
Operating Condition	14°F TO 122 °F (-10°C ~ 50°C) WITH 85% RH			
Net Weight Without Lens	Approx. 350g			
Dimensions	60mm(W) x 50mm(H) x 126.5mm(D)			



Features

- * 1/3" WDR digital image device
- * Easy setup by OSD
- * Day & Night double function
- * Privacy zone (4 zones)
 - Built in removable filter mechanism
- * Digital zoom (3X)
 - Frame integration
- * Remote control by RS-485
- * High-resolution (580 TV Line at B/W)
- * Motion detection
- * Dual power (AC 24V & DC 12V)

Dimension

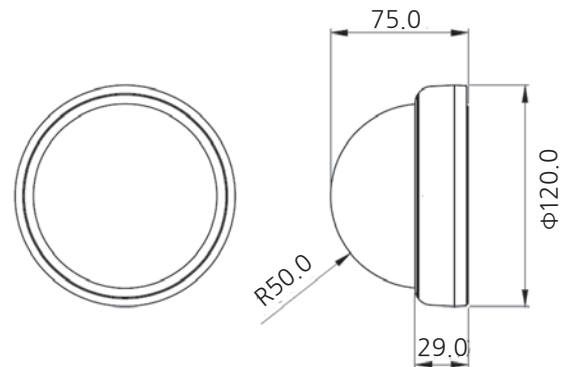


Specifications

MODEL		UCN-542	UCP-542
Image Device		1/3" P/S CCD,768(H) * 494(V)	1/3" P/S CCD,752(H) * 582(V)
TV System		NTSC / PAL Standard, 2:1 Interlace	
Synchronizing System		Internal / Line-Lock	
Horizontal Resolution		480 TV Line (at Color) / 580 TV Line (at BW)	
Video Output Level		1Vpp VBS/75 ohm	
S/N Ratio		More Than 48 dB (AGC Off)	
Min Illumination	Color	0.05 FC (0.5 Lux) (at 40IRE F1.2 Lens)	
	B/W	0.001 FC (0.01 Lux) (at 40IRE F1.2 Lens)	
	Sens Up	0.005 Lux (at F1.2 Lens x 160, Color)	0.0002 Lux (at F1.2 Lens x 160, BW)
Electronic Iris		1/60 ~ 1/500,000 Sec	1/50 ~ 1/500,000 Sec
Auto White Balance		ATW1/ATW2/AWC/Manual Selectable	
WDR		OFF/WDR/BLC Selectable	
Day & Night		Color/BW/Auto1/Auto2/Auto3 Selectable	
		Day/Night In/Out	
Dynamic Range		X128	
Motion Detection		Off/On (Area/Sensitivity), Alarm Out	
Privacy Zone		Off/On (4 Programmable Zone)	
Video Control		D-Zoom(x3), Reverse, Posi/Nega, Sharpness	
External Communication		RS-485	
OSD		ID and Functions Selectable	
Camera Mount		Flush Mount Type (Top or Bottom Selectable)	
Lens Type	Mount	C or CS Mount	
	Auto Iris	DC Drive Type / Video Drive Type	
Power Requirement		24V AC or 12V DC ± 10% 600mA MAX.	
Operating Condition		14°F TO 122 °F (-10°C ~ 50°C) WITH 85% RH	
Net Weight Without Lens		Approx. 350g	
Dimensions		60mm(W) x 50mm(H) x 126.5mm(D)	



Dimension



- . Compact Indoor Dome(100Φ)
- . High Quality 1/3" SONY Super HAD-II CCD
- . High Sensitivity & Super High Resolution
- . Built in Fixed Lens (3.6mm)
- . Built in Flicker Less Mode Function
- . Low Power Consumption
- . OSD Control by EXT. JIG.
- . 12V DC, Internal Sync Operation

Specifications

MODEL		UDN-451CF	UDP-451CF
TV System		NTSC	PAL
Image Sensor		VBS Composite 1.0V p-p / 75 ohm	
Scanning System		2 : 1 Interlace	
Scanning Frequency		15,734KHz(H) 59.94Hz(V)	15,625KHz(H) 50Hz(V)
Min. illumination		0.8Lux(50 IRE) : Day Mode 0.3Lux(20 IRE) : Night Mode	
Day& Night Change Delay		Approx. 5sec	
Image Sensor		0.45	
Lens		f = 3.6 mm F2.0	
View Angle	Diagonal	92°	
	Horizontal	73.6°	
	Vertical	55.2°	
Image Sensor		1/3" Super HAD-II CCD	
Effective Pixels		768(H) x 494(V)	752(H) x 582(V)
Resolution(Horizontal)		420 TV Line	
Sync System		Internal Sync Only	
Power Input		12V DC ± 10%	
Power Consumption		2.0 Watt or Less	
AES Range		1/60 ~ 1/100,000 sec	1/50 ~ 1/100,000 sec
AWB Range		AWB / Fixed / Manual / ATW	
S/N Ratio		More Than 50 dB	
OSD Control by Ext. JIG		AGC / Sharpness / BLC / Camera ID / Motion det./etc	
Connector		Power In & Video Out(BNC)	
Ambient Temperature		-10°C ~ + 50°C	
Rotation Angle		Pan : 350° Tilt : 45°	
Ambient Humidity		RH 85% max.	
Size		114(Φ) x 77(V) mm , Dome 100Φ	
Weight		Approx. 270g	

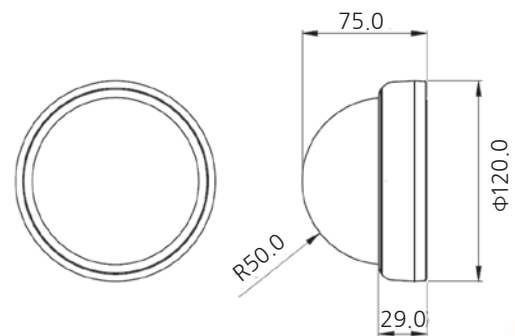
Plastic Dome Camera

UDX-451DF

- . Compact Indoor Dome(100Φ)
- . High Quality 1/3" SONY Super HAD- II CCD
- . High Sensitivity & Super High Resolution
- . Built in Fixed Lens (3.6mm)
- . Built in Flicker Less Mode Function
- . Data Control Type Day& Night Function
- . Low Power Consumption
- . OSD Control by EXT. JIG.
- . 12V DC, Internal Sync Operation



Dimension



Specifications

MODEL	UDN-451DF	UDP-451DF
TV System	NTSC	PAL
Image Sensor	VBS Composite 1.0V p-p / 75 ohm	
Scanning System	2 : 1 Interlace	
Scanning Frequency	15,734KHz(H) 59.94Hz(V)	15,625KHz(H) 50Hz(V)
Min. illumination	0.8Lux(50 IRE) : Day Mode 0.3Lux(20 IRE) : Night Mode	
Day& Night Change Delay	Approx. 5sec	
Image Sensor	0.45	
Lens	f = 3.6 mm F2.0	
View Angle	Diagonal	92°
	Horizontal	73.6°
	Vertical	55.2°
Image Sensor	1/3" Super HAD- II CCD	
Effective Pixels	768(H) x 494(V)	752(H) x 582(V)
Resolution(Horizontal)	560 TV Line	
Sync System	Internal Sync Only	
Power Input	12V DC ± 10%	
Power Consumption	2.0 Watt or Less	
AES Range	1/60 ~ 1/100,000 sec	1/50 ~ 1/100,000 sec
AWB Range	AWB / Fixed / Manual / ATW	
S/N Ratio	More Than 50 dB	
OSD Control by Ext. JIG	AGC / Sharpness / BLC / Camera ID / Motion det./etc	
Connector	Power In & Video Out(BNC)	
Ambient Temperature	-10°C ~ + 50°C	
Rotation Angle	Pan : 350° Tilt : 45°	
Ambient Humidity	RH 85% max.	
Size	114(Φ) x 77(V) mm , Dome 100Φ	
Weight	Approx. 270g	

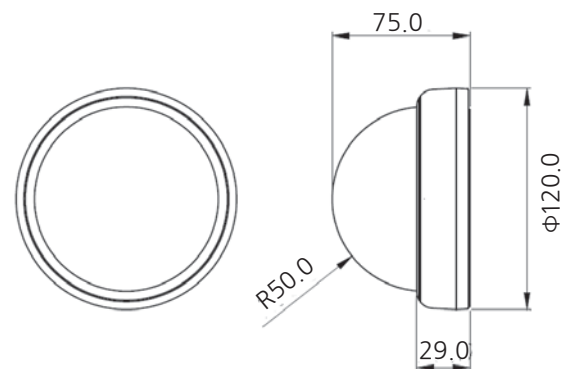
Plastic Dome Camera

UDX-451DV

- . Compact Indoor Dome(100Φ)
- . High Quality 1/3" SONY Super HAD- II CCD
- . High Sensitivity & Super High Resolution
- . Built in Vari Focal Lens (4 ~ 9mm)
- . Built in Flicker Less Mode Function
- . Data Control Type Day& Night Function
- . Low Power Consumption
- . OSD Control by EXT. JIG.
- .12V DC, Internal Sync Operation



Dimension



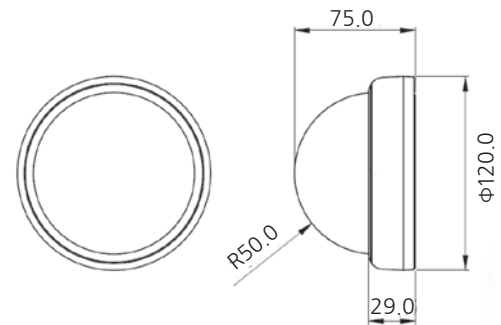
Specifications

MODEL		UDN-451DV	UDP-451DV
TV System		NTSC	PAL
Image Sensor		VBS Composite 1.0V p-p / 75 ohm	
Scanning System		2 : 1 Interlace	
Scanning Frequency		15,734KHz(H) 59.94Hz(V)	15,625KHz(H) 50Hz(V)
Min. illumination		0.7Lux(50 IRE) : Day Mode 0.08Lux(20 IRE) : Night Mode	
Day& Night Change Delay		Approx. 5sec	
Image Sensor		0.45	
Lens		F 1.6 ~ F 2.4 (DC Auto Ifis)	
View Angle	Diagonal	92.4° ~ 39.4°	
	Horizontal	71° ~ 31.6°	
	Vertical	51.8° ~23.6°	
Image Sensor		1/3" Super HAD-II CCD	
Effective Pixels		768(H) x 494(V)	752(H) x 582(V)
Resolution(Horizontal)		560 TV Line	
Sync System		Internal Sync Only	
Power Input		12V DC ± 10%	
Power Consumption		2.0 Watt or Less	
AES Range		1/60 ~ 1/100,000 sec	1/50 ~ 1/100,000 sec
AWB Range		AWB / Fixed / Manual / ATW	
S/N Ratio		More Than 50 dB	
OSD Control by Ext. JIG		AGC / Sharpness / BLC / Camera ID / Motion det./etc	
Connector		Power In & Video Out(BNC)	
Ambient Temperature		-10°C ~ + 50°C	
Rotation Angle		Pan : 350° Tilt : 45°	
Ambient Humidity		RH 85% max.	
Size		114(Φ) x 77(V) mm , Dome 100Φ	
Weight		Approx. 270g	

- . Compact Indoor Dome(100Φ)
- . High Quality 1/3" SONY Super HAD- II CCD
- . High Sensitivity & Super High Resolution
- . Built in Vari Focal Lens (4 ~ 9mm)
- . Built in Flicker Less Mode Function
- . ICR Type Day& Night Function
- . Low Power Consumption
- . OSD Control by EXT. JIG.
- .12V DC, Internal Sync Operation



Dimension



Specifications

MODEL		UDN-451TV	UDP-451TV
TV System		NTSC	PAL
Image Sensor		VBS Composite 1.0V p-p / 75 ohm	
Scanning System		2 : 1 Interlace	
Scanning Frequency		15,734KHz(H) 59.94Hz(V)	15,625KHz(H) 50Hz(V)
Min. illumination		0.7Lux(50 IRE) : Day Mode 0.08Lux(20 IRE) : Night Mode	
Day& Night Change Delay		Approx. 5sec	
Image Sensor		0.45	
Lens		F 1.6 ~ F 2.4 (DC Auto Ifis)	
View Angle	Diagonal	92.4° ~ 39.4°	
	Horizontal	71° ~ 31.6°	
	Vertical	51.8° ~23.6°	
Image Sensor		1/3" Super HAD- II CCD	
Effective Pixels		768(H) x 494(V)	752(H) x 582(V)
Resolution(Horizontal)		560 TV Line	
Sync System		Internal Sync Only	
Power Input		12V DC ± 10%	
Power Consumption		2.0 Watt or Less	
AES Range		1/60 ~ 1/100,000 sec	1/50 ~ 1/100,000 sec
AWB Range		AWB / Fixed / Manual / ATW	
S/N Ratio		More Than 50 dB	
OSD Control by Ext. JIG		AGC / Sharpness / BLC / Camera ID / Motion det./etc	
Connector		Power In & Video Out(BNC)	
Ambient Temperature		-10°C ~ + 50°C	
Rotation Angle		Pan : 350° Tilt : 45°	
Ambient Humidity		RH 85% max.	
Size		114(Φ) x 77(V) mm , Dome 100Φ	
Weight		Approx. 270g	

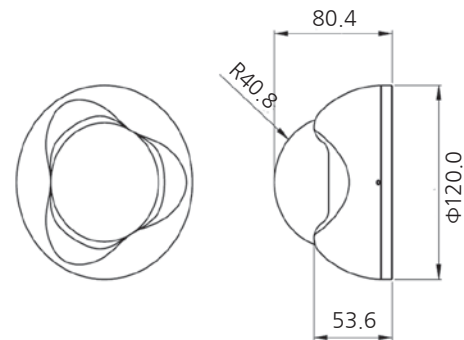
Impact Dome Camera

UIX-481DF

- . 3-Axis Compact Vandalproof Dome(80Φ)
- . High Quality 1/3" SONY Super HAD- II CCD
- . High Sensitivity & Super High Resolution
- . Built in Fixed Lens (3.6mm)
- . Built in Flicker Less Mode Function
- . Data Control Type Day& Night Function
- . Low Power Consumption
- . WeatherProof Housing (IP66)
- .12V DC, Internal Sync Operation



Dimension



Specifications

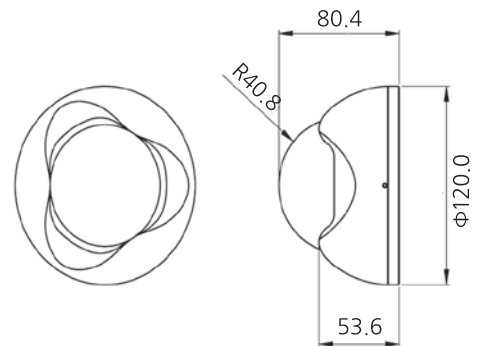
MODEL		UIN-481DF	UIP-481DF
TV System		NTSC	PAL
Image Sensor		VBS Composite 1.0V p-p / 75 ohm	
Scanning System		2 : 1 Interlace	
Scanning Frequency		15,734KHz(H) 59.94Hz(V)	15,625KHz(H) 50Hz(V)
Min. illumination		0.7Lux(50 IRE) : Day Mode 0.2Lux(20 IRE) : Night Mode	
Day& Night Change Delay		Approx. 5sec	
Image Sensor		0.45	
Lens		f=3.6mm F 2.0	
View Angle	Diagonal	92°	
	Horizontal	73.6°	
	Vertical	55.2°	
Image Sensor		1/3" Super HAD- II CCD	
Effective Pixels		768(H) x 494(V)	752(H) x 582(V)
Resolution(Horizontal)		560 TV Line	
Sync System		Internal Sync Only	
Power Input		12V DC ± 10%	
Power Consumption		2.0 Watt or Less	
AES Range		1/60 ~ 1/100,000 sec	1/50 ~ 1/100,000 sec
AWB Range		AWB / Fixed / Manual / ATW	
S/N Ratio		More Than 50 dB	
OSD Control by Ext. JIG		AGC / Sharpness / BLC / Camera ID / Motion det./etc	
Connector		Power In & Video Out(BNC)	
Ambient Temperature		-10°C ~ + 50°C	
Rotation Angle		Pan : 350° Tilt : 45°	
Ambient Humidity		RH 85% max.	
Size		112(Φ) x 78(V) mm , Dome 80Φ	
Weight		Approx. 500g	

Impact Dome Camera

UIX-481DV



Dimension



- . 3-Axis Compact Vandalproof Dome(80Φ)
- . High Quality 1/3" SONY Super HAD- II CCD
- . High Sensitivity & Super High Resolution
- . Built in Vari Focal Lens (4 ~ 9mm)
- . Built in Flicker Less Mode Function
- . Data Control Type Day& Night Function
- . Low Power Consumption
- . WeatherProof Housing (IP66)
- . 12V DC, Internal Sync Operation

Specifications

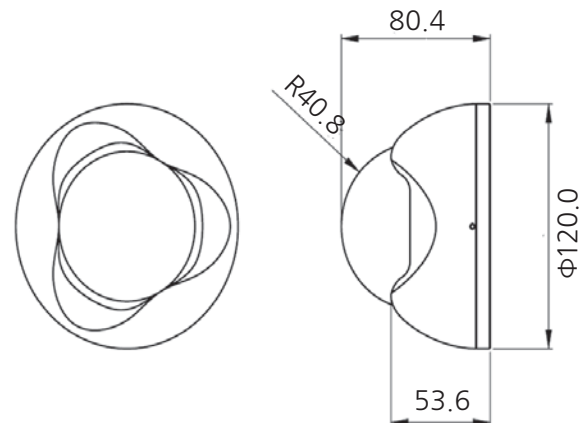
MODEL		UIN-481DV	UIP-481DV
TV System		NTSC	PAL
Image Sensor		VBS Composite 1.0V p-p / 75 ohm	
Scanning System		2 : 1 Interlace	
Scanning Frequency		15,734KHz(H) 59.94Hz(V)	15,625KHz(H) 50Hz(V)
Min. illumination		0.7Lux(50 IRE) : Day Mode 0.2Lux(20 IRE) : Night Mode	
Day& Night Change Delay		Approx. 5sec	
Image Sensor		0.45	
Lens		F 1.6 ~ F 2.4 (DC Auto Iris)	
View Angle	Diagonal	92.4° ~ 39.4°	
	Horizontal	71° ~ 31.6°	
	Vertical	51.8° ~ 23.6°	
Image Sensor		1/3" Super HAD- II CCD	
Effective Pixels		768(H) x 494(V)	752(H) x 582(V)
Resolution(Horizontal)		560 TV Line	
Sync System		Internal Sync Only	
Power Input		12V DC ± 10%	
Power Consumption		2.0 Watt or Less	
AES Range		1/60 ~ 1/100,000 sec	1/50 ~ 1/100,000 sec
AWB Range		AWB / Fixed / Manual / ATW	
S/N Ratio		More Than 50 dB	
OSD Control by Ext. JIG		AGC / Sharpness / BLC / Camera ID / Motion det./etc	
Connector		Power In & Video Out(BNC)	
Ambient Temperature		-10°C ~ + 50°C	
Rotation Angle		Pan : 350° Tilt : 45°	
Ambient Humidity		RH 85% max.	
Size		112(Φ) x 78(V) mm , Dome 80Φ	

Impact Dome Camera

UDX-481TV



Dimension



- . 3-Axis Compact Vandalproof Dome(80Φ)
- . High Quality 1/3" SONY Super HAD- II CCD
- . High Sensitivity & Super High Resolution
- . Built in Vari Focal Lens (4 ~ 9mm)
- . Built in Flicker Less Mode Function
- . ICR Type Day& Night Function
- . Low Power Consumption
- . WeatherProof Housing (IP66)
- . 12V DC, Internal Sync Operation

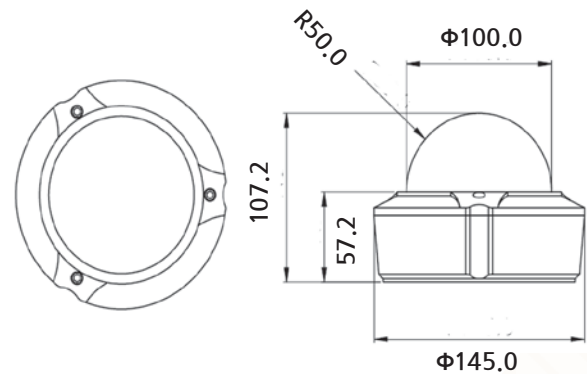
Specifications

MODEL		UIN-481TV	UIP-481TV
TV System		NTSC	PAL
Image Sensor		VBS Composite 1.0V p-p / 75 ohm	
Scanning System		2 : 1 Interlace	
Scanning Frequency		15,734KHz(H) 59.94Hz(V)	15,625KHz(H) 50Hz(V)
Min. illumination		0.7Lux(50 IRE) : Day Mode 0.08Lux(20 IRE) : Night Mode	
Day& Night Change Delay		Approx. 5sec	
Image Sensor		0.45	
Lens		f 1.6 ~ F 2.4 (DC Auto Ifis)	
View Angle	Diagonal	92.4° ~ 39.4°	
	Horizontal	71° ~ 31.6°	
	Vertical	51.8° ~ 23.6°	
Image Sensor		1/3" Super HAD- II CCD	
Effective Pixels		768(H) x 494(V)	752(H) x 582(V)
Resolution(Horizontal)		560 TV Line	
Sync System		Internal Sync Only	
Power Input		12V DC ± 10%	
Power Consumption		2.0 Watt or Less	
AES Range		1/60 ~ 1/100,000 sec	1/50 ~ 1/100,000 sec
AWB Range		AWB / Fixed / Manual / ATW	
S/N Ratio		More Than 50 dB	
OSD Control by Ext. JIG		AGC / Sharpness / BLC / Camera ID / Motion det./etc	
Connector		Power In & Video Out(BNC)	
Ambient Temperature		-10°C ~ + 50°C	
Rotation Angle		Pan : 350° Tilt : 85°	
Ambient Humidity		RH 85% max.	
Size		112(Φ) x 78(V) mm , Dome 80Φ	
Weight		Approx. 500g	



- . 3-Axis Vandalproof Dome(100Φ)
- . High Quality 1/3" SONY Super HAD- II CCD
- . High Sensitivity & Super High Resolution
- . Built in Vari Focal Lens (4 ~ 9mm)
- . Built in Flicker Less Mode Function
- . Data Control Type Day& Night Function
- . 12V DC, Internal Sync Operation
- . WeatherProof Housing (IP66)
- . Low Power Consumption

Dimension



Specifications

MODEL		UIN-491DV	UIP-491DV
TV System		NTSC	PAL
Image Sensor		VBS Composite 1.0V p-p / 75 ohm	
Scanning System		2 : 1 Interlace	
Scanning Frequency		15,734KHz(H) 59.94Hz(V)	15,625KHz(H) 50Hz(V)
Min. illumination		0.7Lux(50 IRE) : Day Mode 0.2Lux(20 IRE) : Night Mode	
Day& Night Change Delay		Approx. 5sec	
Image Sensor		0.45	
Lens		F 1.6 ~ F 2.4 (DC Auto Iris)	
View Angle	Diagonal	92.4° ~ 39.4°	
	Horizontal	71° ~ 31.6°	
	Vertical	51.8° ~ 23.6°	
Image Sensor		1/3" Super HAD- II CCD	
Effective Pixels		768(H) x 494(V)	752(H) x 582(V)
Resolution(Horizontal)		560 TV Line	
Sync System		Internal Sync Only	
Power Input		12V DC ± 10%	
Power Consumption		2.0 Watt or Less	
AES Range		1/60 ~ 1/100,000 sec	1/50 ~ 1/100,000 sec
AWB Range		AWB / Fixed / Manual / ATW	
S/N Ratio		More Than 50 dB	
OSD Control by Ext. JIG		AGC / Sharpness / BLC / Camera ID / Motion det./etc	
Connector		Power In & Video Out(BNC)	
Ambient Temperature		-10°C ~ + 50°C	
Rotation Angle		Pan : 350° Tilt : 85°	
Ambient Humidity		RH 85% max.	
Size		144(Φ) x 97.5(V) mm , Dome 100Φ	
Weight		Approx. 980g	

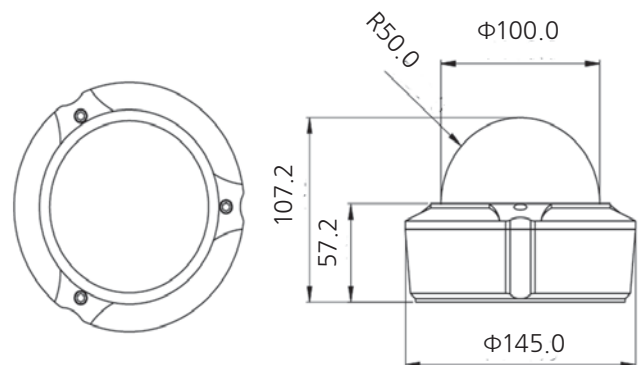
Impact Dome Camera

UIX-491TV

- . 3-Axis Vandalproof Dome(100Φ)
- . High Quality 1/3" SONY Super HAD- II CCD
- . High Sensitivity & Super High Resolution
- . Built in Vari Focal Lens (4 ~ 9mm)
- . Built in Flicker Less Mode Function
- . ICR Type Day& Night Function
- . 12V DC, Internal Sync Operation
- . WeatherProof Housing (IP66)
- . Low Power Consumption



Dimension



Specifications

MODEL		UIN-491TV	UIP-491TV
TV System		NTSC	PAL
Image Sensor		VBS Composite 1.0V p-p / 75 ohm	
Scanning System		2 : 1 Interlace	
Scanning Frequency		15,734KHz(H) 59.94Hz(V)	15,625KHz(H) 50Hz(V)
Min. illumination		0.7Lux(50 IRE) : Day Mode 0.08Lux(20 IRE) : Night Mode	
Day& Night Change Delay		Approx. 5sec	
Image Sensor		0.45	
Lens		F1.6 ~ F 2.4 (DC Auto Iris)	
View Angle	Diagonal	92.4° ~ 39.4°	
	Horizontal	71° ~ 31.6°	
	Vertical	51.8° ~23.6°	
Image Sensor		1/3" Super HAD-II CCD	
Effective Pixels		768(H) x 494(V)	752(H) x 582(V)
Resolution(Horizontal)		560 TV Line	
Sync System		Internal Sync Only	
Power Input		12V DC ± 10%	
Power Consumption		2.0 Watt or Less	
AES Range		1/60 ~ 1/100,000 sec	1/50 ~ 1/100,000 sec
AWB Range		AWB / Fixed / Manual / ATW	
S/N Ratio		More Than 50 dB	
OSD Control by Ext. JIG		AGC / Sharpness / BLC / Camera ID / Motion det./etc	
Connector		Power In & Video Out(BNC)	
Ambient Temperature		-10°C ~ + 50°C	
Rotation Angle		Pan : 350° Tilt : 85°	
Ambient Humidity		RH 85% max.	
Size		144(Φ) x 97.5(V) mm , Dome 100Φ	
Weight		Approx. 980g	

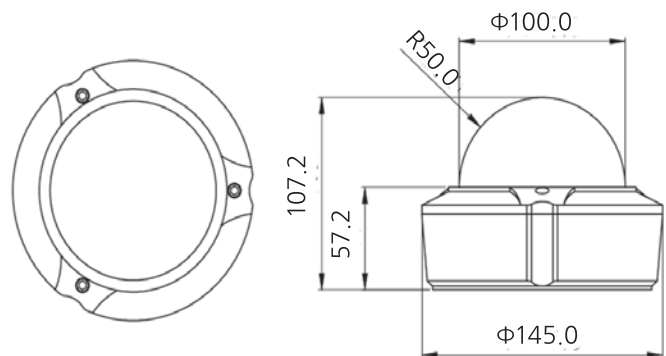
Impact Dome Camera

UIX-591TV

- . High Quality 1/3" SONY Super HAD- II CCD
- . High Sensitivity & Super High Resolution
- . Built in Vari-Focal Lens (3.3 ~ 12mm)
- . Built in WDR Function
- . Built in DNR Function
- . Built in Sens-Up Function(256X)
- . Low Power Consumption
- . OSD Control by EXT. JIG.
- . 12V DC, Internal Sync Operation



Dimension



Specifications

MODEL		UIN-591TV	UIP-591TV
Focal length		3.3mm ~ 12mm	
Lens		1 : 1.4	
Iris		F1.4 ~ F2.9 (DC auto iris)	
Angle of View (Wide to Tele)	D	125.7° ~ 29.9°	
	H	89.8° ~ 23.9°	
	V	63.6° ~ 17.9°	
TV system		NTSC	PAL
Scanning system		2 : 1 Interlace	
Image sensor		1/3"-Type Interline transfer CCD	
Effective elements		768(H) x 494(V)	752(H) x 582(V)
Scanning frequency		15.734kHz(H) x 59.94Hz(V)	15.625kHz(H) x 50Hz(V)
Video output		1.0Vp-p /75Ω	
Horizontal resolution		More than 560 TVL	
Min. Illuminance	Color / BW	0.7Lux(50 IRE) (at Color) / 0.08Lux(20 IRE) (at BW)	
	Sens Up	0.002Lux(50 IRE) (at Color) / 0.0005Lux(20 IRE) (at BW)	
Day / Night		Digital	
S/N Ratio		More Than 50 dB	
Gamma Characteristic		0.45	
Sync. System		Internal only	
Electronic Shutter		1/60 sec.(FL OFF), 1/100sec.(FL ON)	1/50 sec.(FL OFF), 1/120sec.(FL ON)
White Balance		ATW/AWB/Fixed/Manual selectable	
Power Input		12V DC±10%	
Power Consumption (12V DC)		3.0 Watt or Less	
Ambient Temperature		Operation : -10°C to +50°C / Storage : -20°C to +60°C	
Ambient Humidity(No Condensing)		Operation : Max. 85%RH / Storage : Max. 95%RH	
IP Rating		IP67	
External Dimensions		145(Φ) x 107(V) mm , Dome 100Φ	
Weight		Approx. 950g	

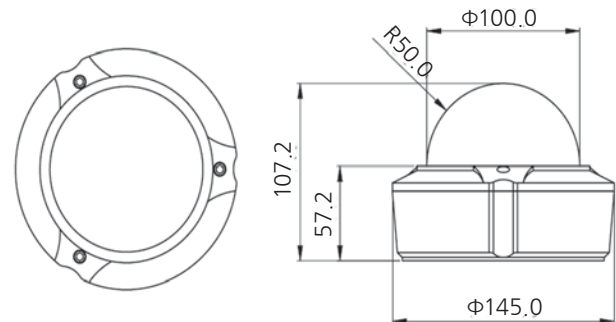
Impact Dome Camera

UIX-591TV

- . High Quality 1/3" SONY Super HAD- II CCD
- . High Sensitivity & Super High Resolution
- . Built in Vari-Focal Lens (3.3 ~ 12mm)
- . Built in WDR Function
- . Built in DNR Function
- . Built in Sens-Up Function(256X)
- . Low Power Consumption
- . OSD Control by EXT. JIG.
- . 12V DC, Internal Sync Operation



Dimension



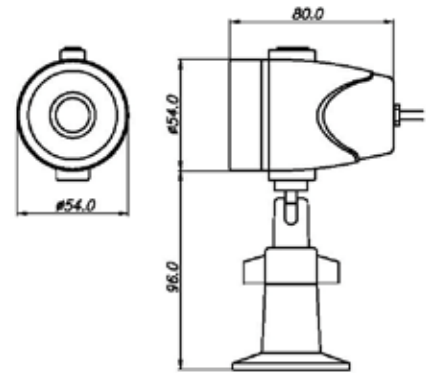
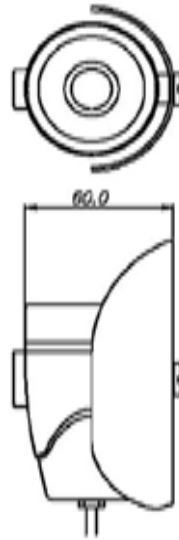
Specifications

MODEL		UIN-591TV	UIP-591TV
Focal length		3.3mm ~ 12mm	
Lens		1 : 1.4	
Iris		F1.4 ~ F2.9 (DC auto iris, ICR Type)	
Angle of View (Wide to Tele)	D	125.7° ~ 29.9°	
	H	89.8° ~ 23.9°	
	V	63.6° ~ 17.9°	
TV system		NTSC	PAL
Scanning system		2 : 1 Interlace	
Image sensor		1/3"-Type Interline transfer CCD	
Effective elements		768(H) x 494(V)	752(H) x 582(V)
Scanning frequency		15.734kHz(H) x 59.94Hz(V)	15.625kHz(H) x 50Hz(V)
Video output		1.0Vp-p /75Ω	
Horizontal resolution		More than 560 TVL	
Min. Illuminance	Color / BW	0.7Lux(50 IRE) (at Color) / 0.08Lux(20 IRE) (at BW)	
	Sens Up	0.003Lux(50 IRE) (at Color) / 0.003Lux(20 IRE) (at BW)	
Day / Night		Mechanical	
S/N Ratio		More Than 50 dB	
Gamma Characteristic		0.45	
Sync. System		Internal only	
Electronic Shutter		1/60 sec. (FL OFF), 1/100sec. (FL ON)	1/50 sec. (FL OFF), 1/120sec. (FL ON)
White Balance		ATW/AWB/Fixed/Manual selectable	
Power Input		12V DC±10%	
Power Consumption (12V DC)		3.0 Watt or Less	
Ambient Temperature		Operation : -10°C to +50°C / Storge : -20°C to +60°C	
Ambient Humidity(No Condensing)		Operation : Max. 85%RH / Storge : Max. 95%RH	
IP Rating		IP67	
External Dimensions		145(Φ) x 107(V) mm , Dome 100Φ	
Weight		Approx. 950g	

Pipe IR Camera

URX-221DF

- . High Resolution 270K Pixel CCD
- . High Sensitivity CCD
- . Digital Signal Processing
- . 12V DC Operation
- . 0 Lux Operation (with IR LED)
- . Digital Control Day & Night Function
- . Built in BLC Function
- . Water Proof Housing (IP67)
- . Including 3.6mm Fixed Lens



Dimension

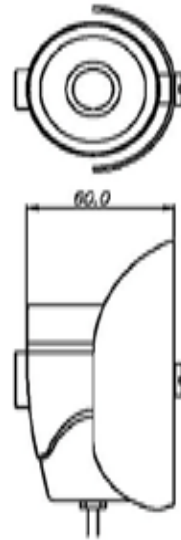
Specifications

MODEL		URN-221DF	URP-221DF
Focal length		F = 3.6mm	
Lens		F 2.0	
Angle of View (Wide to Tele)	D	92°	
	H	73.6°	
	V	55.2°	
TV system		NTSC	PAL
Scanning system		2 : 1 Interlace	
Image sensor		1/3"-Type Interline transfer CCD	
Effective elements		510(H) x 492(V)	500(H) x 582(V)
Scanning frequency		15.734kHz(H) x 60Hz(V)	15.625kHz(H) x 50Hz(V)
Video output		1.0Vp-p /75Ω	
Horizontal resolution		More than 380 TVL	
Min. Illuminance	Color	Day Time : 5.0 Lux(50 IRE)	
	BW	Night Time : 0 Lux (20 IRE) (B/W Mode-at IR LEDs on)	
Day / Night		Digital	
S/N Ratio		More Than 48 dB (at Minimum AGC gain)	
Gamma Characteristic		0.45	
IR Illumination		24 IR LEDs Light Up to 25M	
Sync. System		Internal only	
AES Range		1/60 ~ 1/100,000 sec	1/50 ~ 1/100,000 sec
White Balance		ATW	
Power Input		12V DC±10%	
Power Consumption (12V DC)		Max. 4 Watt	
Ambient Temperature		Operation : -10°C to +50°C / Storge : -20°C to +60°C	
Ambient Humidity(No Condensing)		Operation : Max. 85%RH / Storge : Max. 95%RH	
IP Rating		IP67	
External Dimensions		79.5(L) x 54φ(Without sunshield & bracket)	
Weight		Approx. 260g	
Accessories		Bracket Tapping Screw(M4x20 : 3pcs), Instruction Manual	

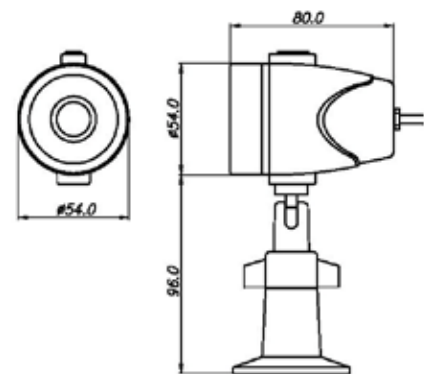
Pipe IR Camera

URX-241CF

- . High Resolution 270K Pixel CCD
- . High Sensitivity SONY HAD CCD
- . Digital Signal Processing
- . 12V DC Operation
- . 0 Lux Operation (with IR LED)
- . Digital Control Day & Night Function
- . Built in BLC Function
- . Water Proof Housing (IP67)
- . Including 3.6mm Fixed Lens



Dimension



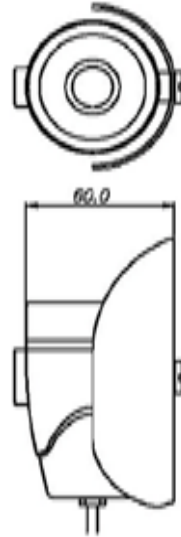
Specifications

MODEL		URN-241CF	URP-241CF
Focal length		F = 3.6mm	
Lens		F 2.0	
Angle of View (Wide to Tele)	D	92°	
	H	73.6°	
	V	55.2°	
TV system		NTSC	PAL
Scanning system		2 : 1 Interlace	
Image sensor		1/3"-Type Interline transfer CCD	
Effective elements		510(H) x 492(V)	500(H) x 582(V)
Scanning frequency		15.734kHz(H) x 60Hz(V)	15.625kHz(H) x 50Hz(V)
Video output		1.0Vp-p /75Ω	
Horizontal resolution		More than 420 TVL	
Min. Illuminance	Color	Day Time : 0.2 Lux(50 IRE)	
	BW	Night Time : 0 Lux (20 IRE) (B/W Mode - at IR LED On)	
Day / Night		Digital	
S/N Ratio		More Than 50 dB (at Minimum AGC gain)	
Gamma Characteristic		0.45	
IR Illumination		24 IR LEDs Light up to 25M	
Sync. System		Internal only	
AES Range		1/60 ~ 1/100,000 sec	1/50 ~ 1/100,000 sec
White Balance		ATW	
Power Input		12V DC±10%	
Power Consumption (12V DC)		Max. 4 Watt	
Ambient Temperature		Operation : -10°C to +50°C / Storge : -20°C to +60°C	
Ambient Humidity(No Condensing)		Operation : Max. 85%RH / Storge : Max. 95%RH	
IP Rating		IP67	
External Dimensions		79.5(L) x 54Φ(Without sunshield & bracket)	
Weight		Approx. 260g	
Accessories		Bracket Tapping Screw(M4x20 : 3pcs), Instruction Manual	

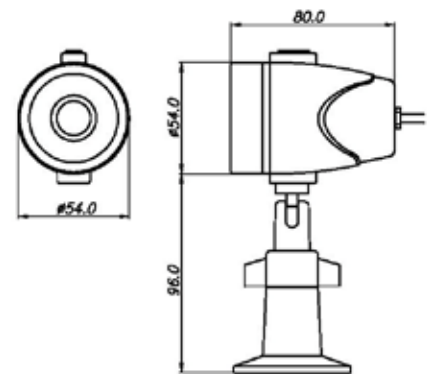
Pipe IR Camera

URX-241DF

- . High Resolution 410K Pixel CCD
- . High Sensitivity SONY HAD CCD
- . Digital Signal Processing
- . 12V DC Operation
- . 0 Lux Operation (with IR LED)
- . Digital Control Day & Night Function
- . Built in BLC Function
- . Water Proof Housing (IP67)
- . Including 3.6mm Fixed Lens



Dimension



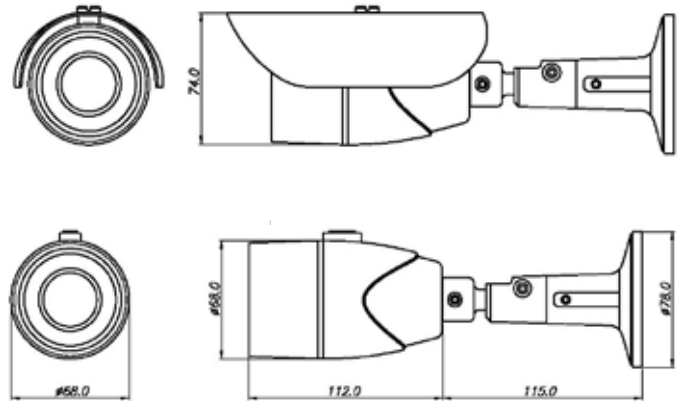
Specifications

MODEL		URN-241DF	URP-241DF
Focal length		F = 3.6mm	
Lens		F 2.0	
Angle of View (Wide to Tele)	D	92°	
	H	73.6°	
	V	55.2°	
TV system		NTSC	PAL
Scanning system		2 : 1 Interlace	
Image sensor		1/3"-Type Interline transfer CCD	
Effective elements		768(H) x 494(V)	752(H) x 582(V)
Scanning frequency		15.734kHz(H) x 60Hz(V)	15.625kHz(H) x 50Hz(V)
Video output		1.0Vp-p /75Ω	
Horizontal resolution		More than 560 TVL	
Min. Illuminance	Color	Day Time : 0.8 Lux(50 IRE)	
	BW	Night Time : 0 Lux (20 IRE) (B/W Mode - at IR LED On)	
Day / Night		Digital	
S/N Ratio		More Than 50dB (at Minimum AGC gain)	
Gamma Characteristic		0.45	
IR Illumination		24 IR LEDs Light Up to 25M	
Sync. System		Internal only	
AES Range		1/60 ~ 1/100,000 sec	1/50 ~ 1/100,000 sec
White Balance		ATW	
Power Input		12V DC±10%	
Power Consumption (12V DC)		Max. 4 Watt	
Ambient Temperature		Operation : -10°C to +50°C / Storge : -20°C to +60°C	
Ambient Humidity(No Condensing)		Operation : Max. 85%RH / Storge : Max. 95%RH	
IP Rating		IP67	
External Dimensions		79.5(L) x 54Φ(Without sunshield & bracket)	
Weight		Approx. 260g	
Accessories		Bracket Tapping Screw(M4x20 : 3pcs), Instruction Manual	

- . High Resolution 410K Pixel CCD
- . High Sensitivity SONY HAD CCD
- . Digital Signal Processing
- . 12V DC Operation
- . 0 Lux Operation (with IR LED)
- . Digital Control Day & Night Function
- . Built in BLC Function
- . Water Proof Housing (IP67)
- . Including 3.6mm Fixed Lens
- . OSD Control by EXT. JIG.



Dimension



Specifications

MODEL		URN-261DF	URP-261DF
Focal length		F = 3.6mm	
Lens		F 2.0	
Angle of View (Wide to Tele)	D	92°	
	H	73.6°	
	V	55.2°	
TV system		NTSC	PAL
Scanning system		2 : 1 Interlace	
Image sensor		1/3"-Type Interline transfer CCD	
Effective elements		768(H) x 494(V)	752(H) x 582(V)
Scanning frequency		15.734kHz(H) x 60Hz(V)	15.625kHz(H) x 50Hz(V)
Video output		1.0Vp-p /75Ω	
Horizontal resolution		More than 560 TVL	
Min. Illuminance	Color	Day Time : 0.8 Lux(50 IRE)	
	BW	Night Time : 0 Lux (20 IRE) (B/W Mode - at IR LED On)	
Day / Night		Digital	
S/N Ratio		More Than 50dB (at Minimum AGC gain)	
Gamma Characteristic		0.45	
IR Illumination		60 IR LEDs	
Sync. System		Internal only	
AES Range		1/60 ~ 1/100,000 sec	1/50 ~ 1/100,000 sec
White Balance		ATW/AWB/Fixed/Manual selectable	
Power Input		12V DC±10%	
Power Consumption (12V DC)		Max. 4.5 Watt	
Ambient Temperature		Operation : -10°C to +50°C / Storge : -20°C to +60°C	
Ambient Humidity(No Condensing)		Operation : Max. 85%RH / Storge : Max. 95%RH	
IP Rating		IP67	
External Dimensions		115(L) x 68Φ(Without sunshield & bracket)	
Weight		Approx. 380g	
Accessories		Wrench, Bracket Tapping Screw(M4x20 : 3pcs), Instruction Manual	

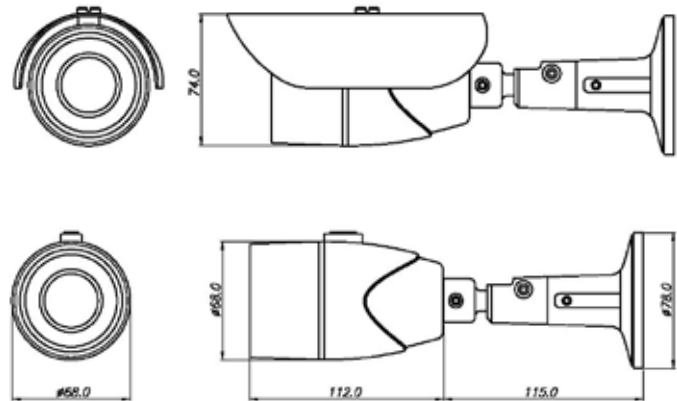
Pipe IR Camera

URX-261DV

- . High Resolution 410K Pixel CCD
- . High Sensitivity SONY HAD CCD
- . Digital Signal Processing
- . 12V DC Operation
- . 0 Lux Operation (with IR LED)
- . Digital Control Day & Night Function
- . Built in BLC Function
- . Water Proof Housing (IP67)
- . Including Vari Focal Lens (4 ~ 9mm)
- . OSD Control by EXT. JIG.



Dimension



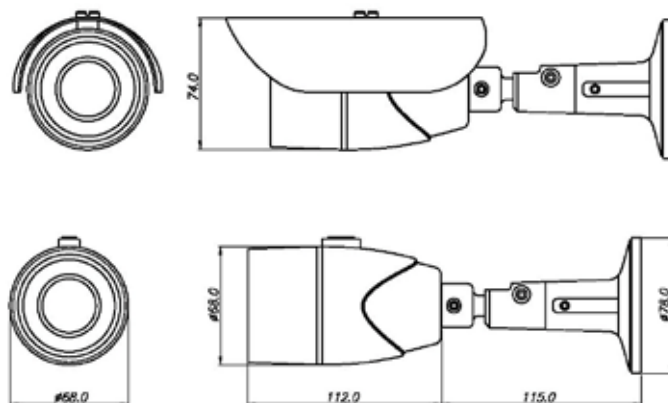
Specifications

MODEL		URN-261DV	URP-261DV
Focal length		4.0 mm ~ 9.0 mm	
Lens		F1.6 ~ F2.4(DC auto iris)	
Angle of View (Wide to Tele)	D	92.4° ~ 39.4°	
	H	71° ~ 31.6°	
	V	51.8° ~ 23.6°	
TV system		NTSC	PAL
Scanning system		2 : 1 Interlace	
Image sensor		1/3"-Type Interline transfer CCD	
Effective elements		768(H) x 494(V)	752(H) x 582(V)
Scanning frequency		15.734kHz(H) x 60Hz(V)	15.625kHz(H) x 50Hz(V)
Video output		1.0Vp-p /75Ω	
Horizontal resolution		More than 560 TVL	
Min. Illuminance	Color	Day Time : 0.8 Lux(50 IRE)	
	BW	Night Time : 0 Lux (20 IRE) (B/W Mode - at IR LED On)	
Day / Night		Digital	
S/N Ratio		More Than 50dB (at Minimum AGC gain)	
Gamma Characteristic		0.45	
IR Illumination		42 IR LEDs	
Sync. System		Internal only	
AES Range		1/60 ~ 1/100,000 sec	1/50 ~ 1/100,000 sec
White Balance		ATW/AWB/Fixed/Manual selectable	
Power Input		12V DC±10%	
Power Consumption (12V DC)		Max. 4.5 Watt	
Ambient Temperature		Operation : -10°C to +50°C / Storge : -20°C to +60°C	
Ambient Humidity(No Condensing)		Operation : Max. 85%RH / Storge : Max. 95%RH	
IP Rating		IP67	
External Dimensions		115(L) x 68Φ(Without sunshield & bracket)	
Weight		Approx. 380g	
Accessories		Wrench, Bracket Tapping Screw(M4x20 : 3pcs), Instruction Manual	



- . High Resolution 410K Pixel CCD
- . High Sensitivity SONY HAD CCD
- . Digital Signal Processing
- . 12V DC Operation
- . 0 Lux Operation (with IR LED)
- . True Day & Night Function (ICR Type)
- . Built in BLC Function
- . Water Proof **Housing** (IP67)
- . Including Vari Focal Lens (4 ~ 9mm)
- . OSD Control by EXT. JIG.

Dimension



Specifications

MODEL		URN-261TV	URP-261TV
Focal length		4.0 mm ~ 9.0 mm	
Lens		F1.6 ~ F2.4(DC auto iris, ICR Type)	
Angle of View (Wide to Tele)	D	92.4° ~ 39.4°	
	H	71° ~ 31.6°	
	V	51.8° ~ 23.6°	
TV system		NTSC	PAL
Scanning system		2 : 1 Interlace	
Image sensor		1/3"-Type Interline transfer CCD	
Effective elements		768(H) x 494(V)	752(H) x 582(V)
Scanning frequency		15.734kHz(H) x 60Hz(V)	15.625kHz(H) x 50Hz(V)
Video output		1.0Vp-p /75Ω	
Horizontal resolution		More than 560 TVL	
Min. Illuminance	Color	Day Time : 0.8 Lux(50 IRE)	
	BW	Night Time : 0 Lux (20 IRE) (B/W Mode - at IR LED On)	
Day / Night		Mechanical	
S/N Ratio		More Than 50dB (at Minimum AGC gain)	
Gamma Characteristic		0.45	
IR Illumination		42 IR LEDs	
Sync. System		Internal only	
AES Range		1/60 ~ 1/100,000 sec	1/50 ~ 1/100,000 sec
White Balance		ATW/AWB/Fixed/Manual selectable	
Power Input		12V DC±10%	
Power Consumption (12V DC)		Max. 4.5 Watt	
Ambient Temperature		Operation : -10°C to +50°C / Storge : -20°C to +60°C	
Ambient Humidity(No Condensing)		Operation : Max. 85%RH / Storge : Max. 95%RH	
IP Rating		IP67	
External Dimensions		115(L) x 68Φ(Without sunshield & bracket)	
Weight		Approx. 380g	
Accessories		Wrench, Bracket Tapping Screw(M4x20 : 3pcs), Instruction Manual	

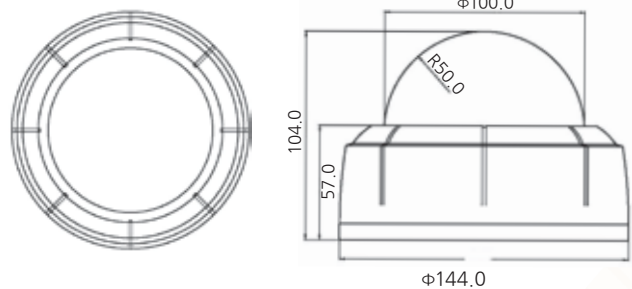
Plastic IR Dome Camera

URX-661DV

- . High Resolution 410K Pixel CCD
- . High Sensitivity SONY HAD CCD
- . Digital Signal Processing
- . 12V DC Operation
- . 0 Lux Operation (with IR LED)
- . Digital Control Day & Night Function
- . Built in BLC Function
- . Including Vari Focal Lens (4 ~ 9mm)
- . OSD Control by EXT. JIG.



Dimension



Specifications

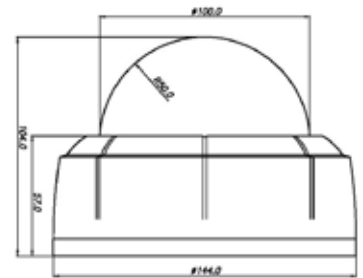
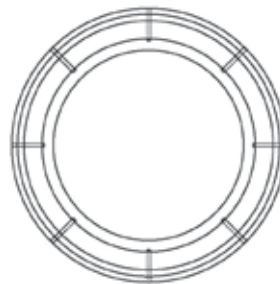
MODEL		URN-661DV	URP-661DV
Focal length		4.0 mm ~ 9.0 mm	
Lens		1 : 1.6	
Iris		F 1.6 ~ F 2.4 (DC Auto Iris, ICR Type)	
Angle of View (Wide to Tele)	D	92.4° ~ 39.4°	
	H	71° ~ 31.6°	
	V	51.8° ~ 23.6°	
TV system		NTSC	PAL
Scanning system		2 : 1 Interlace	
Image sensor		1/3"-Type Interline transfer CCD	
Effective elements		768(H) x 494(V)	752(H) x 582(V)
Scanning frequency		15.734kHz(H) x 60Hz(V)	15.625kHz(H) x 50Hz(V)
Video output		1.0Vp-p /75Ω	
Horizontal resolution		More than 560 TVL	
Min. Illuminance	Color	Day Time : 0.3 Lux(50 IRE)	
	BW	Night Time : 0 Lux (20 IRE) (B/W Mode - at IR LED On)	
Day / Night		Digital	
S/N Ratio		More Than 50dB (at Minimum AGC gain)	
Gamma Characteristic		0.45	
IR Illumination		30 IR LEDs (Light up to 30m)	
Sync. System		Internal only	
AES Range		1/60 sec.(FL OFF), 1/100sec.(FL ON)	1/50 sec.(FL OFF), 1/120sec.(FL ON)
White Balance		ATW/AWB/Fixed/Manual selectable	
Power Input		12V DC±10%	
Power Consumption (12V DC)		Max. 5 Watt	
Ambient Temperature		Operation : -10°C to +50°C / Storge : -20°C to +60°C	
Ambient Humidity(No Condensing)		Operation : Max. 85%RH / Storge : Max. 95%RH	
External Dimensions		145(Φ) x 107(V) mm , Dome 100Φ	
Weight		Approx. 350g	

Plastic IR Dome Camera

URX-661TV



Dimension



- . High Resolution 410K Pixel CCD
- . High Sensitivity SONY HAD CCD
- . Digital Signal Processing
- . 12V DC Operation
- . 0 Lux Operation (with IR LED)
- . True Day & Night Function (ICR Type)
- . Built in BLC Function
- . Including Vari Focal Lens (4 ~ 9mm)
- . OSD Control by EXT. JIG.

Specifications

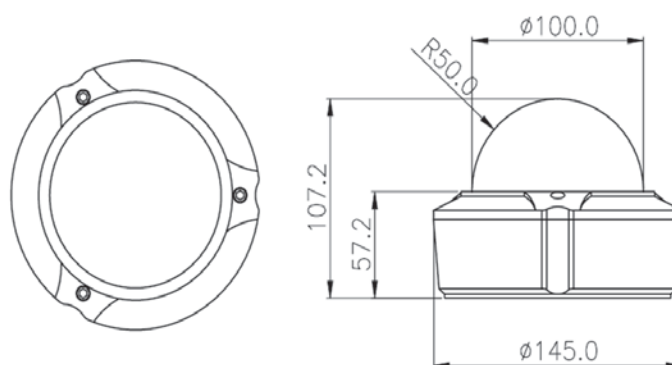
MODEL		URN-661TV	URP-661TV
Focal length		4.0 mm ~ 9.0 mm	
Lens		1 : 1.6	
Iris		F 1.6 ~ F 2.4 (DC Auto Iris, ICR Type)	
Angle of View (Wide to Tele)	D	92.4° ~ 39.4°	
	H	71° ~ 31.6°	
	V	51.8° ~ 23.6°	
TV system		NTSC	PAL
Scanning system		2 : 1 Interlace	
Image sensor		1/3"-Type Interline transfer CCD	
Effective elements		768(H) x 494(V)	752(H) x 582(V)
Scanning frequency		15.734kHz(H) x 60Hz(V)	15.625kHz(H) x 50Hz(V)
Video output		1.0Vp-p / 75Ω	
Horizontal resolution		More than 560 TVL	
Min. Illuminance	Color	Day Time : 0.8 Lux(50 IRE)	
	BW	Night Time : 0 Lux (20 IRE) (B/W Mode - at IR LED On)	
Day / Night		Mechanical	
S/N Ratio		More Than 50dB (at Minimum AGC gain)	
Gamma Characteristic		0.45	
IR Illumination		30 IR LEDs (Light up to 30m)	
Sync. System		Internal only	
AES Range		1/60 ~ 1/100,000 sec	1/50 ~ 1/100,000 sec
White Balance		ATW/AWB/Fixed/Manual selectable	
Power Input		12V DC±10%	
Power Consumption (12V DC)		Max. 5 Watt	
Ambient Temperature		Operation : -10°C to +50°C / Storage : -20°C to +60°C	
Ambient Humidity(No Condensing)		Operation : Max. 85%RH / Storage : Max. 95%RH	
External Dimensions		145(Φ) x 107(V) mm , Dome 100Φ	
Weight		Approx. 350g	

Impact IR Dome Camera

URX-761DV



Dimension



- . High Resolution 410K Pixel CCD
- . High Sensitivity SONY HAD CCD
- . Digital Signal Processing
- . 12V DC Operation
- . 0 Lux Operation (with IR LED)
- . Digital Control Day & Night Function
- . Built in BLC Function
- . Water Proof Housing (IP67)
- . Including Vari Focal Lens (4 ~ 9mm)
- . OSD Control by EXT. JIG.

Specifications

MODEL		URN-761DV	URP-761DV
Focal length		4.0 mm ~ 9.0 mm	
Lens		1 : 1.6	
Iris		F1.6 ~ F2.4 (DC auto iris)	
Angle of View (Wide to Tele)	D	92.4° ~ 39.4°	
	H	71° ~ 31.6°	
	V	51.8° ~ 23.6°	
TV system		NTSC	PAL
Scanning system		2 : 1 Interlace	
Image sensor		1/3"-Type Interline transfer CCD	
Effective elements		768(H) x 494(V)	752(H) x 582(V)
Scanning frequency		15.734kHz(H) x 60Hz(V)	15.625kHz(H) x 50Hz(V)
Video output		1.0Vp-p /75Ω	
Horizontal resolution		More than 560 TVL	
Min. Illuminance	Color	Day Time : 0.3 Lux(50 IRE)	
	BW	Night Time : 0 Lux (20 IRE) (B/W Mode - at IR LED On)	
Day / Night		Digital	
S/N Ratio		More Than 50 dB (at Minimum AGC gain)	
Gamma Characteristic		0.45	
IR Illumination		30 IR LEDs (Light up to 30m)	
Sync. System		Internal only	
AES Range		1/60 sec.(FL OFF), 1/100sec.(FL ON)	1/50 sec.(FL OFF), 1/120sec.(FL ON)
White Balance		ATW/AWB/Fixed/Manual selectable	
Power Input		12V DC±10%	
Power Consumption (12V DC)		Max. 5 Watt	
Ambient Temperature		Operation : -10°C to +50°C / Storage : -20°C to +60°C	
Ambient Humidity(No Condensing)		Operation : Max. 85%RH / Storage : Max. 95%RH	
IP rating		IP 67	
External Dimensions		145(Φ) x 107(V) mm , Dome 100Φ	
Weight		Approx. 950g	

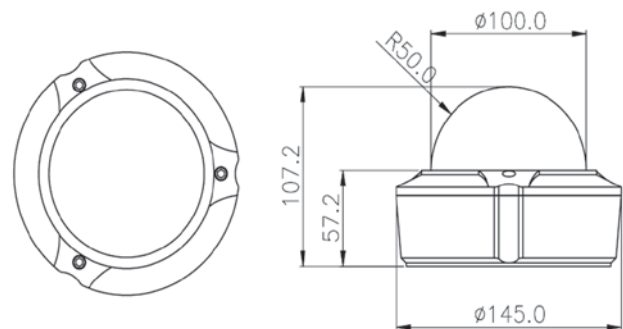
Impact IR Dome Camera

URN-761TV



- . High Sensitivity SONY HAD CCD
- . Digital Signal Processing
- . 12V DC Operation
- . 0 Lux Operation (with IR LED)
- . True Day & Night Function (ICR Type)
- . Built in BLC Function
- . Water Proof Housing (IP67)
- . Including Vari Focal Lens (4 ~ 9mm)
- . OSD Control by EXT. JIG.

Dimension



Specifications

MODEL		URN-761TV	URP-761TV
Focal length		4.0 mm ~ 9.0 mm	
Lens		1 : 1.6	
Iris		F1.6 ~ F2.4 (DC auto iris, ICR Type)	
Angle of View (Wide to Tele)	D	92.4° ~ 39.4°	
	H	71° ~ 31.6°	
	V	51.8° ~ 23.6°	
TV system		NTSC	PAL
Scanning system		2 : 1 Interlace	
Image sensor		1/3"-Type Interline transfer CCD	
Effective elements		768(H) x 494(V)	752(H) x 582(V)
Scanning frequency		15.734kHz(H) x 60Hz(V)	15.625kHz(H) x 50Hz(V)
Video output		1.0Vp-p /75Ω	
Horizontal resolution		More than 560 TVL	
Min. Illuminance	Color	Day Time : 0.8 Lux(50 IRE)	
	BW	Night Time : 0 Lux (20 IRE) (B/W Mode - at IR LED On)	
Day / Night		Mechanical	
S/N Ratio		More Than 50 dB (at Minimum AGC gain)	
Gamma Characteristic		0.45	
IR Illumination		30 IR LEDs (Light up to 30m)	
Sync. System		Internal only	
AES Range		1/60 sec.(FL OFF), 1/100sec.(FL ON)	1/50 sec.(FL OFF), 1/120sec.(FL ON)
White Balance		ATW/AWB/Fixed/Manual selectable	
Power Input		12V DC±10%	
Power Consumption (12V DC)		Max. 5 Watt	
Ambient Temperature		Operation : -10°C to +50°C / Storge : -20°C to +60°C	
Ambient Humidity(No Condensing)		Operation : Max. 85%RH / Storge : Max. 95%RH	
IP rating		IP 67	
External Dimensions		145(Φ) x 107(V) mm , Dome 100Φ	
Weight		Approx. 950g	

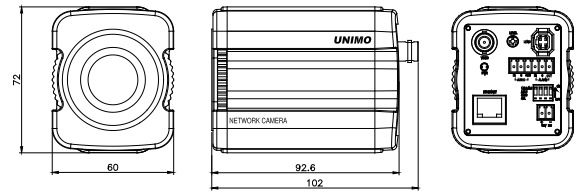
IP CAMERA

Mega Pixel IP CAMERA

UWCC-151



Dimension



Specifications

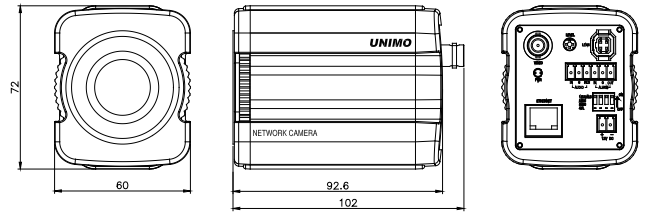
MODEL		UWCC-151
CAMERA	Image Sensor	1/4 inch Progressive Scan CMOS(1.3M)
	Synchronization	INTERNAL
	MIN. Illumination (F 1.2,40IRE)	2.0Lux
IMAGE COMPRESSION	Method	Dual Stream(H.264 / MJPEG)
	Performance	Max. 15fps @ SXGA Max. 30fps @ VGA
	Resolution	SXGA(1280X1024) VGA(640X480) QVGA(320X240)
NETWORK	LAN Interface	10/100 Base-T FastEthernet, RJ-45
	Protocol	TCP/IP, HTTP
	Application	Web Viewer
INPUT / OUTPUT CONNECTORS	Video Output	N.A
	Auto Iris	N.A
	Alarm Input/Output	1 Channel In/Out Terminal Block
	Audio Input	1 Channel Audio In Terminal Block
	Network Interface	RJ-45 CAT 5
	Power Input	2 Pin Terminal Block
POWER SUPPLY		DC12V ±10%
CURRENT REQUIREMENT		410 mA Max.
POWER REQUIREMENT		5.0W Max.
OPERATING CONDITION		0°C ~ 50°C, Less Than 90%RH
DIMENSIONS		72mm(H) X 93mm(L) X 60mm(W)
NET WEIGHT		Approx. 350g

High-Res. IP CAMERA

UWCx-151T



Dimension



Specifications

MODEL		UWCN-151T	UWCP-151T
CAMERA	Image Sensor	1/3 inch Super HAD II CCD	
	TV System	NTSC	PAL
	Resolution	540 TVL	
	S/N Ratio	50 dB	
	Synchronization	INTERNAL	
	Day & Night	True IR filter change	
	MIN. Illumination (F 1.2, 40IRE)	0.5 Lux(Color) 0.05Lux(BW)	
	Setting	ELC/ALC,BLC,AGC,FL ON/OFF	
IMAGE COMPRESSION	Method	Dual Stream(H.264 / MJPEG)	
	Performance	Max. 30fps @ Full D1	
	Resolution	Frame(720X480) Field(720X240) CIF(360X240)	Frame(720X576) Field(720X288) CIF(360X288)
NETWORK	LAN Interface	10/100 Base-T FastEthernet, RJ-45	
	Protocol	TCP/IP, HTTP	
	Application	Web Viewer	
INPUT / OUTPUT CONNECTORS	Video Output	1 Channel BNC	
	Auto Iris	DC Drive Type with 4p Connector	
	Alarm Input/Output	1 Channel In/Out Terminal Block	
	Audio Input	1 Channel Audio In Terminal Block	
	Network Interface	RJ-45 CAT 5	
	Power Input	2 Pin Terminal Block	
	POWER SUPPLY	DC12V ±10%	
CURRENT REQUIREMENT	430 mA Max.		
POWER REQUIREMENT	5.2W Max.		
OPERATING CONDITION	0°C ~ 50°C, Less Than 90%RH		
DIMENSIONS	72mm(H) X 102mm(L) X 60mm(W)		
NET WEIGHT	Approx. 350g		

CMS for IP CAMERA



- Video surveillance, recording and playback up to 25 cameras
- Various split screen (1/4/9/16/25 screens)
- Remote control for each camera setting
 - ✓ Camera image quality adjustable
 - ✓ Various setting value control for the network information, stream information, alarm, time, etc.
- Various recording function
 - ✓ Real time and continuous recording on the real time display
 - ✓ Schedule and event (motion, sensor) recording
- Easy to search for backup image
 - ✓ Calendar search function
 - ✓ Hourly search function using the time line
 - ✓ Search function according to recording method
- Convenient playback function
 - ✓ Each channel or multi channel simultaneous playback
- Support audio function
- PTZ control
- Grouping management for multiful cameras



UNIMO Security
Since 1971



UNIMO Technology Co.,Ltd.

479-12, Bangbae-3 Dong, Seocho-Gu, Seoul, Korea 137-063

Tel : 82-2-3470-4400 Fax : +82-2-581-3107

E-Mail : sales@unimo.co.kr

URL : www.unimo.co.kr/eng